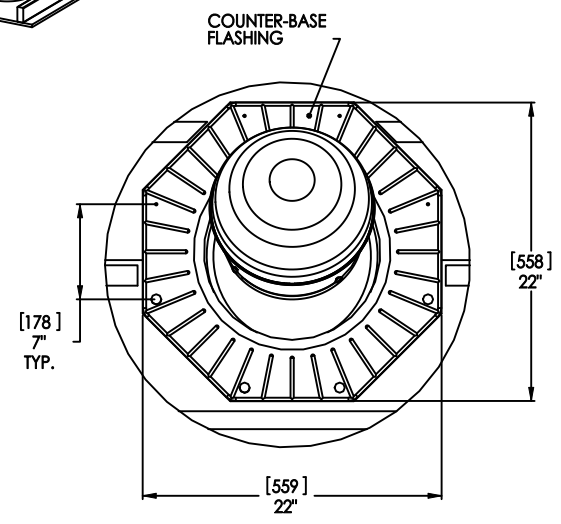
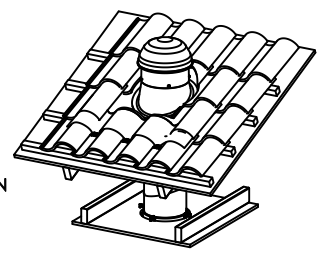


REVISIONS					
REV	ECO	DATE	REVISED	CHECKED	APPROVED
A		10/5/2010			

**SOLATUBE 160 DS  
(10 IN / 250 MM)  
PITCHED TILE FLASHING  
HARD CEILING**

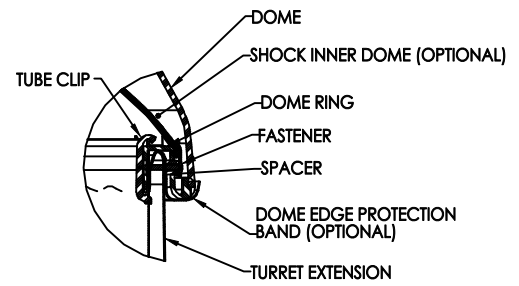


**DETAIL D**

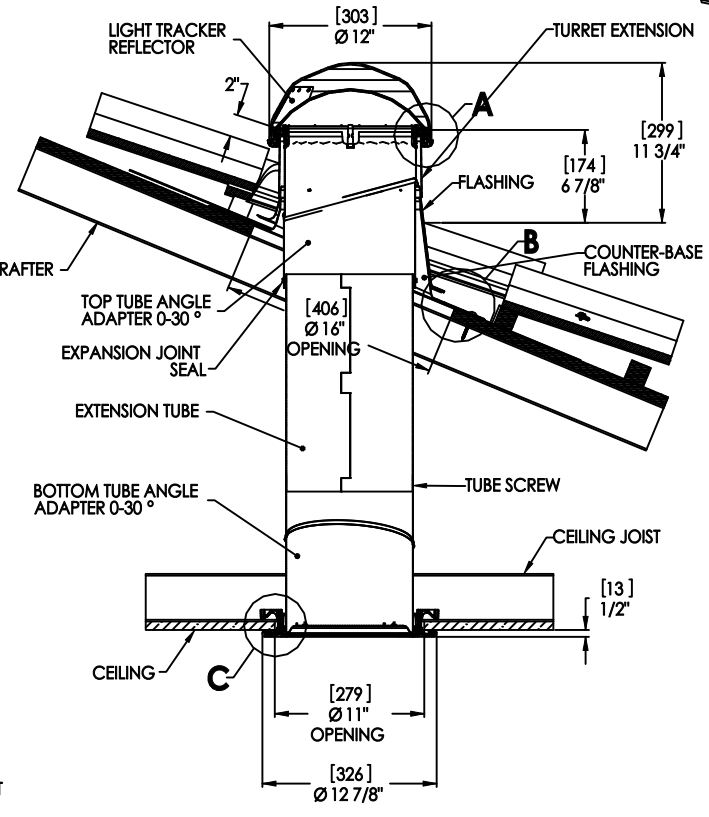
**NOTES:**

1. STRUCTURAL ELEMENTS (PLYWOOD, RAFTERS, DRYWALL ETC. BY OTHERS & SHOWN FOR REFERENCE ONLY).
2. ALL TUBE JOINTS & SEAMS TAPED WITH 2" FOIL TAPE (NOT SHOWN).
3. DIMENSIONS IN BRACKETS ARE METRIC UNLESS OTHERWISE SPECIFIED.
4. 6" MIN CLEARANCE SHOULD BE MAINTAINED FROM ALL SOLATUBE COMPONENTS AND OTHER PLENUM COMPONENTS.

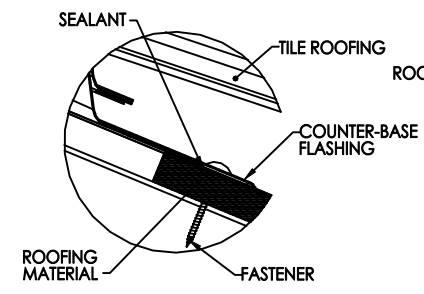
UNLESS OTHERWISE SPECIFIED: DIMENSION TOLERANCE FRACTION: ±1/4" INCH X ±.1		SOLATUBE INTERNATIONAL, INC. COPYRIGHT 2010 WWW.SOLATUBE.COM		 2750 GARA ROAD, SUITE 100 MESA, CALIFORNIA 92591-8541 PH (760) 501-4500	
MATERIAL	DRAWN BY STEVENS	DATE 10/4/10	TITLE: <b>SOLATUBE 160 DS PITCHED TILE FLASHING HARD CEILING</b>		
FINISH	CHECKED BY	DATE	SIZE	DWG. NO. <b>WEB-160DS-TILE-HC</b>	
DO NOT SCALE DRAWING	APPROVED BY	DATE	SCALE: 1:1	REV <b>A</b>	SHEET 1 OF 1



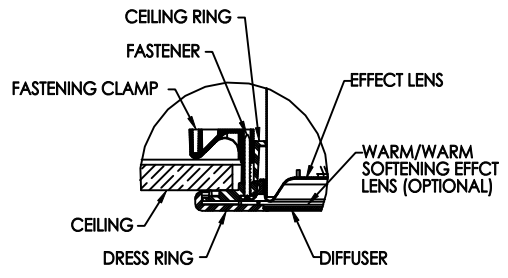
**DETAIL A  
SCALE 3:1**



**FULL SECTION  
SCALE 1:1**



**DETAIL B  
SCALE 3:1**



**DETAIL C  
SCALE 3:1**