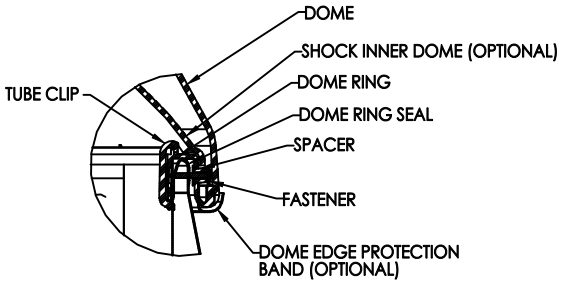
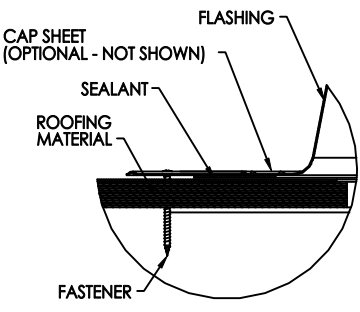


8 7 6 5 4 3 2 1

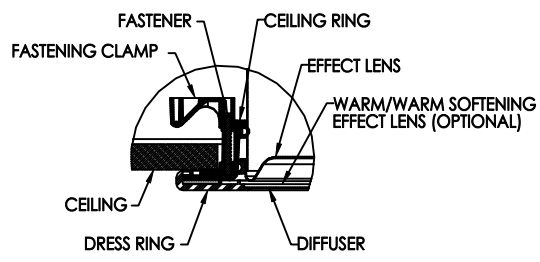
REVISIONS					
REV	ECO	DATE	REVISED	CHECKED	APPROVED
A		10/4/2010			



DETAIL A
SCALE 3 : 1

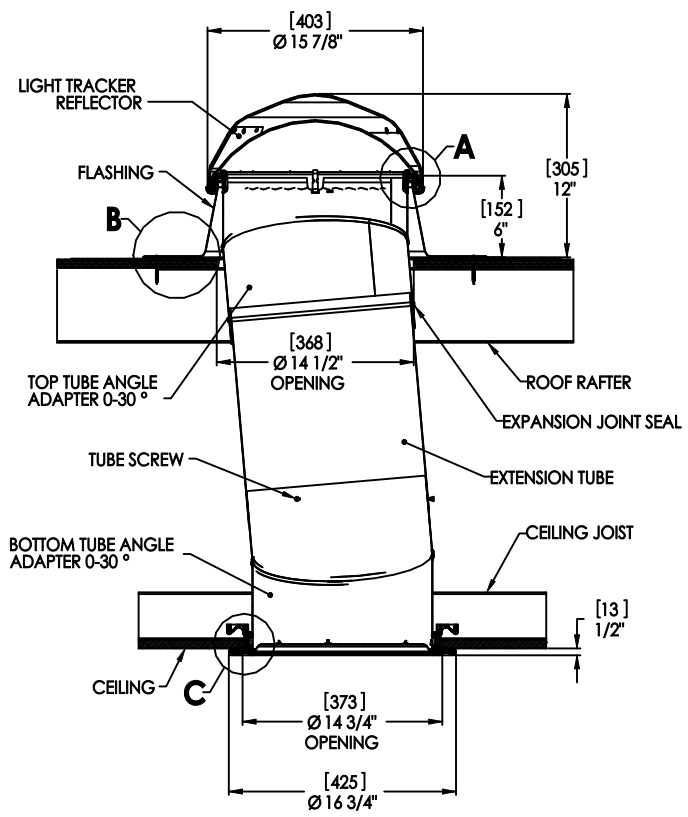


DETAIL B
SCALE 3 : 1

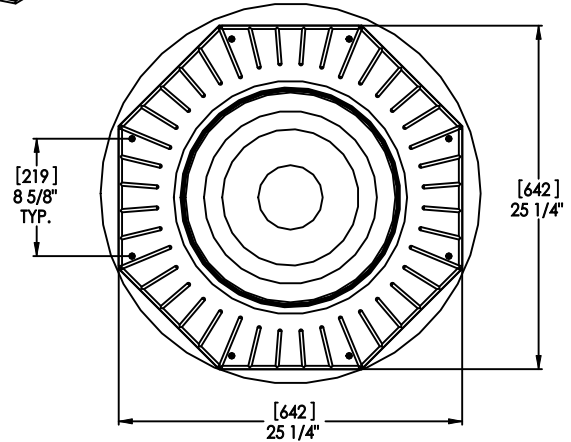
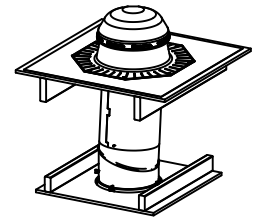


DETAIL C
SCALE 3 : 1

**SOLATUBE 290 DS
(14 IN / 350 MM)
SELF-FLASHING
HARD CEILING**



FULL SECTION
SCALE 1:1



TOP VIEW

NOTES:

1. STRUCTURAL ELEMENTS (PLYWOOD, RAFTERS, DRYWALL ETC. BY OTHERS & SHOWN FOR REFERENCE ONLY.
2. ALL TUBE JOINTS & SEAMS TAPED WITH 2" FOIL TAPE (NOT SHOWN).
3. DIMENSIONS IN BRACKETS ARE METRIC UNLESS OTHERWISE SPECIFIED.
4. 6" MIN CLEARANCE SHOULD BE MAINTAINED FROM ALL SOLATUBE COMPONENTS AND OTHER PLENUM COMPONENTS.

UNLESS OTHERWISE SPECIFIED: DIMENSION TOLERANCE FRACTION : ±1/4" INCH X 2 (-)		SOLATUBE INTERNATIONAL, INC. COPYRIGHT 2010 WWW.SOLATUBE.COM		<p>SOLATUBE 2700 OAK RIDGE WAY MESA, CALIFORNIA 90291-0841 PH (760) 501-4400</p>	
MATERIAL -	DRAWN BY STEVENS	DATE 10/4/10	TITLE: SOLATUBE 290 DS SELF-FLASHING HARD CEILING		
FINISH -	CHECKED BY -	DATE -	SIZE	DWG. NO. WEB-290DS-SF6-HC	REV A
DO NOT SCALE DRAWING	APPROVED BY -	DATE -	SCALE: 1:1	SHEET 1 OF 1	

8 7 6 5 4 3 2 1