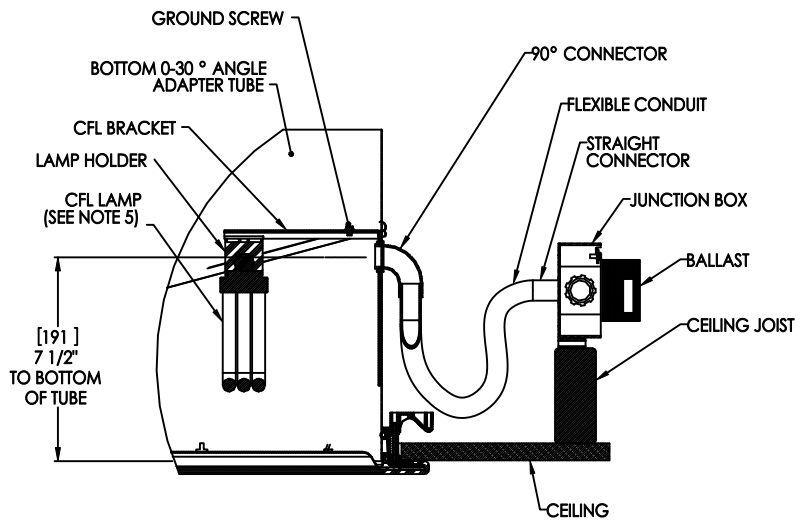
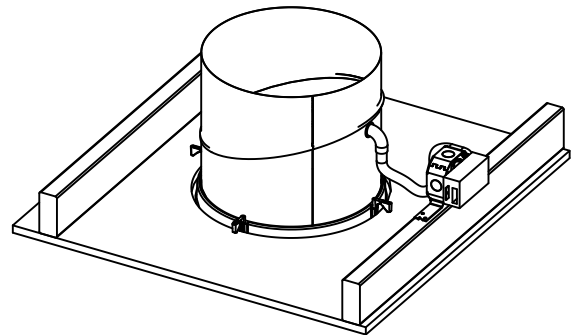
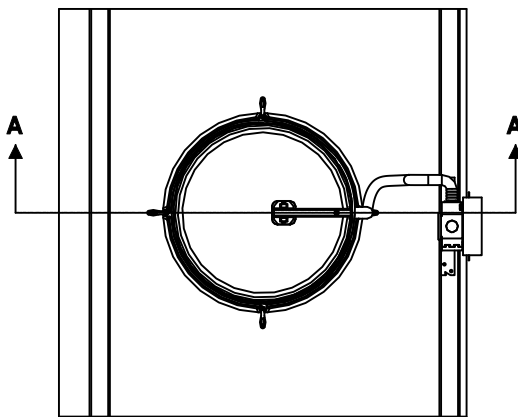
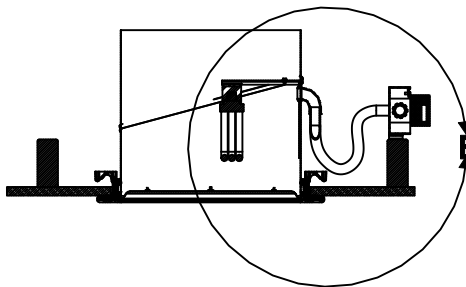


REVISIONS					
REV	ECO	DATE	REVISED	CHECKED	APPROVED
A		10/4/2010			

**SOLATUBE 290 DS  
(14 IN / 350 MM)  
COMPACT FLUORESCENT  
LIGHT ADD-ON KIT  
HARD CEILING**



**DETAIL B  
SCALE 2 : 1**



**SECTION A-A**

**NOTES:**

1. STRUCTURAL ELEMENTS (PLYWOOD, RAFTERS, DRYWALL ETC. BY OTHERS & SHOWN FOR REFERENCE ONLY).
2. ALL TUBE JOINTS & SEAMS TAPED WITH 2" FOIL TAPE (NOT SHOWN).
3. DIMENSIONS IN BRACKETS ARE METRIC UNLESS OTHERWISE SPECIFIED.
4. 6" MIN CLEARANCE SHOULD BE MAINTAINED FROM ALL SOLATUBE COMPONENTS AND OTHER PLENUM COMPONENTS.
5. CFL LAMP: USE GX24q-3 BASE, 26 WATT; 4-PIN ONLY

UNLESS OTHERWISE SPECIFIED:			SOLATUBE INTERNATIONAL, INC. COPYRIGHT 2010 WWW.SOLATUBE.COM		TITLE: <b>SOLATUBE 290 DS COMPACT FLUORESCENT LIGHT</b>	
DIMENSION TOLERANCE FRACTIONS ± 1/16" INCH ± .1 MILLIMETER ± .25 XX ± .26 [XX] ± 1.5			DRAWN BY STEVENS	DATE 10/4/10	SIZE	REV <b>A</b>
MATERIAL			CHECKED BY	DATE	DWG. NO. <b>WEB-290DS-HC-CFL</b>	
FINISH			APPROVED BY	DATE	SCALE 1:1	SHEET 1 OF 1
DO NOT SCALE DRAWING						