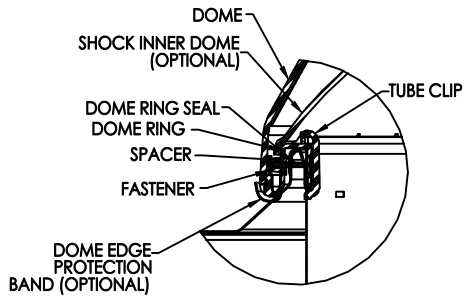
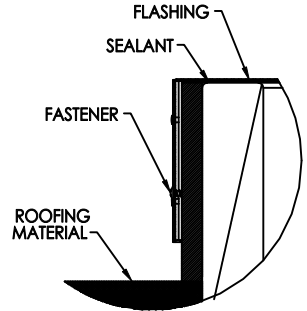


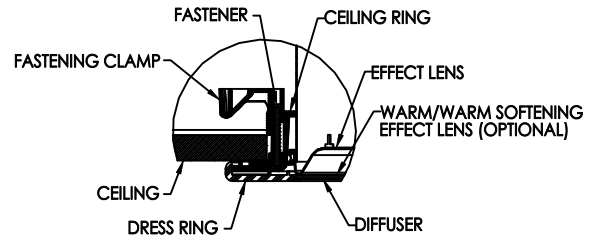
**SOLATUBE 290 DS  
(14 IN / 350 MM)  
CURB CAP  
HARD CEILING**



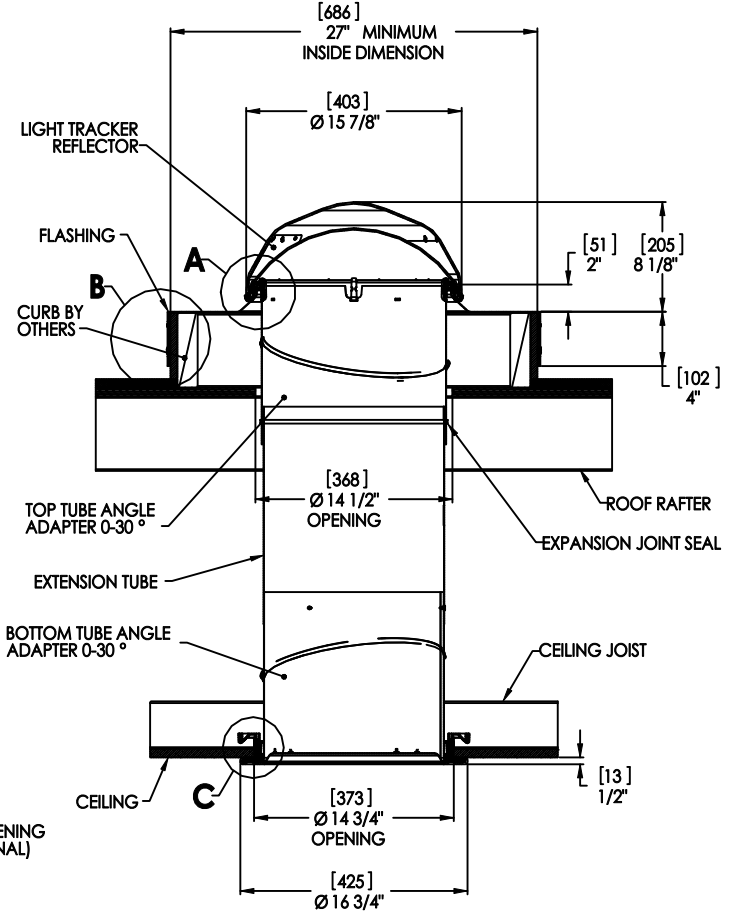
**DETAIL A  
SCALE 3 : 1**



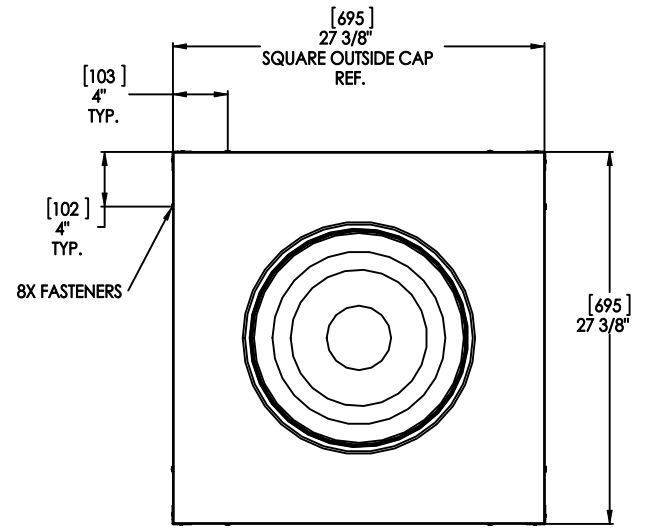
**DETAIL B  
SCALE 3 : 1**



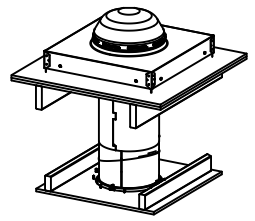
**DETAIL C  
SCALE 3 : 1**



**FULL SECTION  
SCALE 1:1**



**TOP VIEW**



**NOTES:**

1. STRUCTURAL ELEMENTS (PLYWOOD, RAFTERS, DRYWALL ETC. BY OTHERS & SHOWN FOR REFERENCE ONLY).
2. ALL TUBE JOINTS & SEAMS TAPED WITH 2" FOIL TAPE (NOT SHOWN).
3. DIMENSIONS IN BRACKETS ARE METRIC UNLESS OTHERWISE SPECIFIED.
4. 6" MIN CLEARANCE SHOULD BE MAINTAINED FROM ALL SOLATUBE COMPONENTS AND OTHER PLENUM COMPONENTS.

UNLESS OTHERWISE SPECIFIED:		SOLATUBE INTERNATIONAL, INC. COPYRIGHT 2013 WWW.SOLATUBE.COM		 2700 OAK RIDGE WAY MESA, CALIFORNIA 90291-0841 PH (760) 507-4600	
DIMENSION TOLERANCE FRACTIONS ± 1/8" INCH ± .1 MILLIMETER ± .25 ± .25 ± .25		DRAWN BY STEVENS		DATE 10/4/10	
MATERIAL -		CHECKED BY -		DATE -	
FINISH -		APPROVED BY -		DATE -	
DO NOT SCALE DRAWING		-		-	
TITLE: <b>SOLATUBE 290 DS CURB CAP HARD CEILING</b>				SIZE <b>D</b>	REV <b>3</b>
DWG. NO. <b>WEB-290DS-CF-HC</b>				SCALE: 1:1	SHEET 1 OF 1