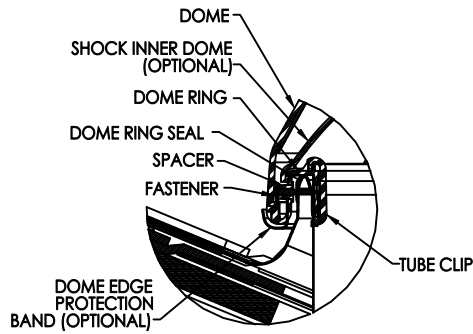
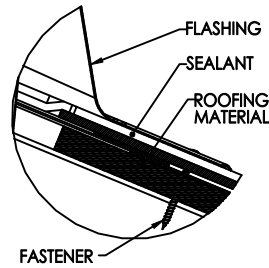


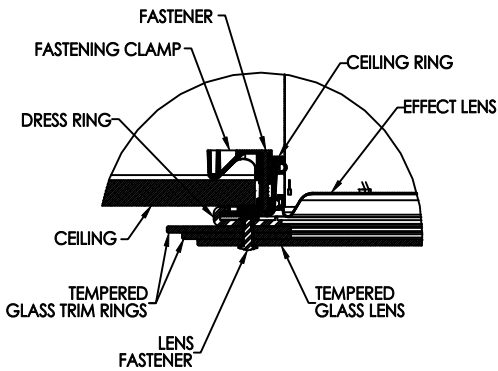
**SOLATUBE 290 DS  
(14 IN / 350 MM)  
PITCHED SELF-FLASHING  
HARD CEILING W/TIER DROP**



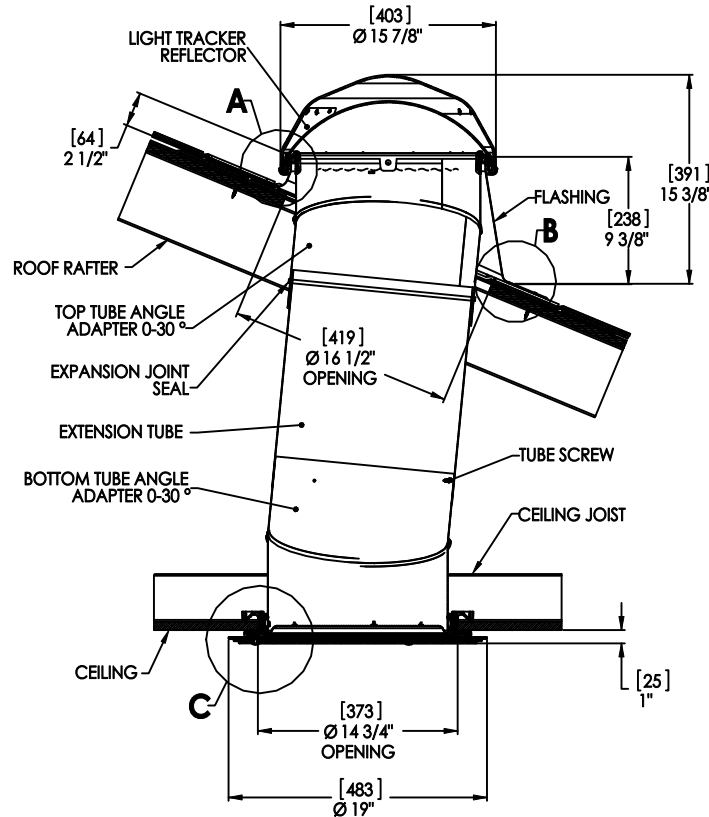
**DETAIL A  
SCALE 3 : 1**



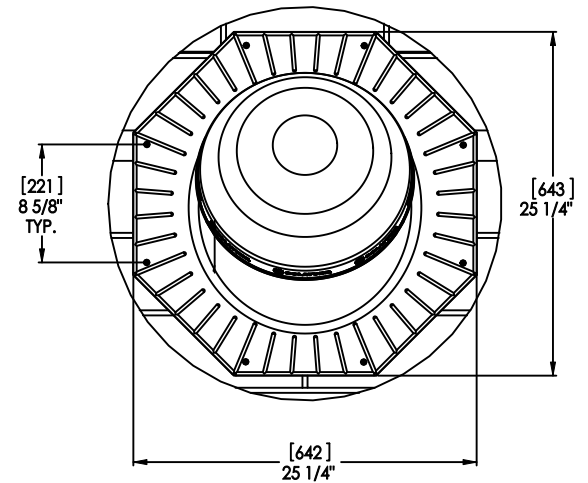
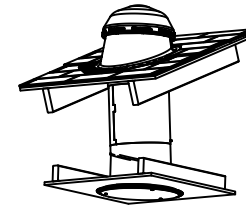
**DETAIL B  
SCALE 3 : 1**



**DETAIL C  
SCALE 3 : 1**



**FULL SECTION  
SCALE 1:1**



**TOP VIEW**

**NOTES:**

1. STRUCTURAL ELEMENTS (PLYWOOD, RAFTERS, DRYWALL ETC. BY OTHERS & SHOWN FOR REFERENCE ONLY).
2. ALL TUBE JOINTS & SEAMS TAPED WITH 2" FOIL TAPE (NOT SHOWN).
3. DIMENSIONS IN BRACKETS ARE METRIC UNLESS OTHERWISE SPECIFIED.
4. 6" MIN CLEARANCE SHOULD BE MAINTAINED FROM ALL SOLATUBE COMPONENTS AND OTHER PLENUM COMPONENTS.

UNLESS OTHERWISE SPECIFIED: DIMENSION TOLERANCE FRACTION : ±1/4" INCH (X 2) : ±.125 MILLIMETER (X) : ±.25		SOLATUBE INTERNATIONAL, INC. COPYRIGHT 2011 WWW.SOLATUBE.COM		 <small>2510 DOW, REDDIE HWY. VISTA, CALIFORNIA 92081-4844 PH (760) 967-4400</small>	
MATERIAL -		DRAWN BY STEVENS		DATE 23 NOV 11	
FINISH -		CHECKED BY -		DATE -	
DO NOT SCALE DRAWING		APPROVED BY -		DATE -	
TITLE: <b>SOLATUBE 290 DS PITCHED SELF-FLASHING HARD CEILING (TD)</b>				SIZE	REV
				WEB-290DS-SFP-HC-TD	A
SCALE: 1:1				SHEET 1 OF 1	