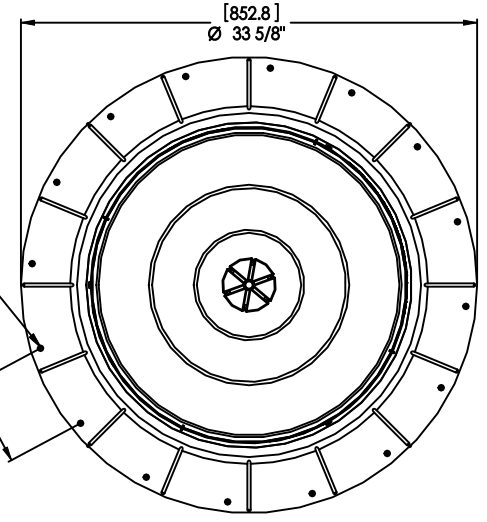
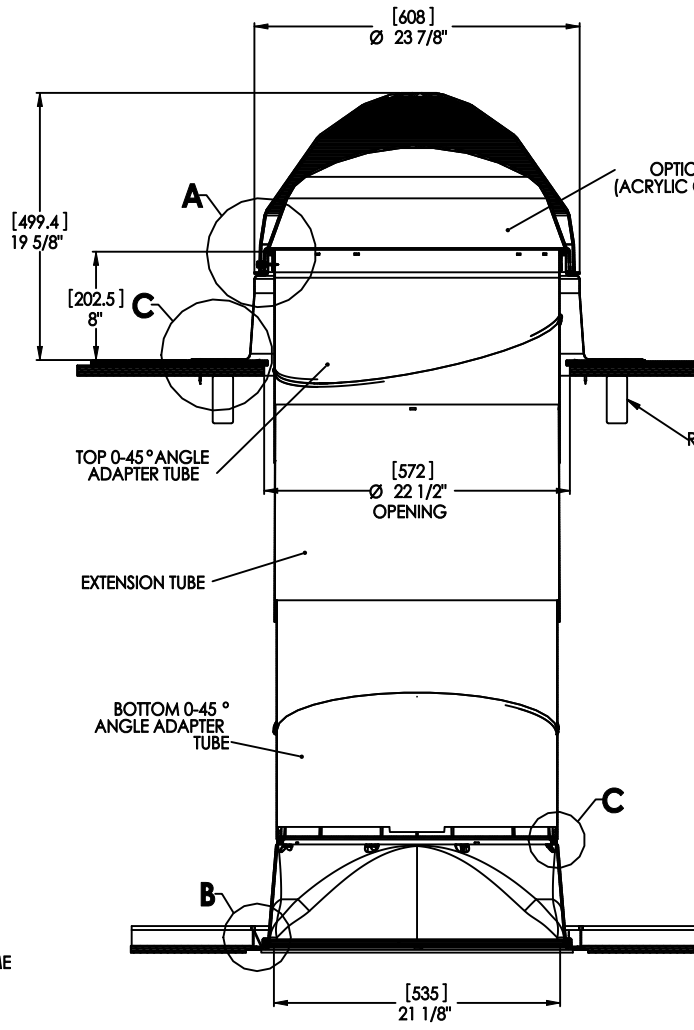
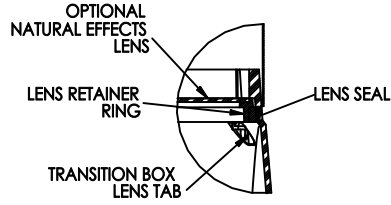


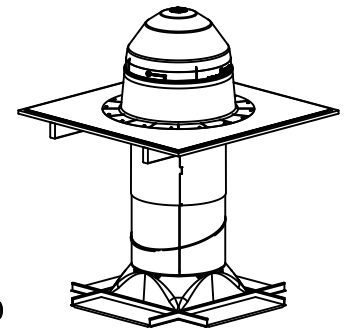
**SOLATUBE 750 DS-C
(21 IN / 530 MM)
8" SELF FLASHING
SUSPENDED CEILING WITH
OPTIONAL INNER DOME**



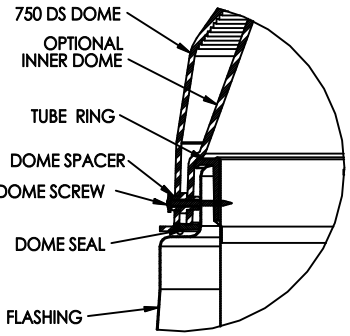
**TOP VIEW
SCALE 1:1**



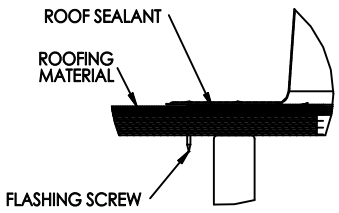
**DETAIL C
SCALE 3:1**



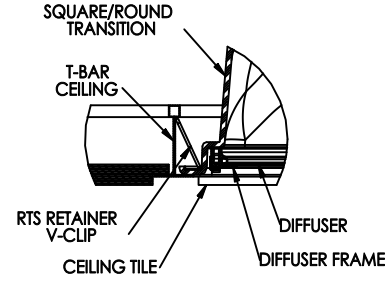
- NOTES:**
1. STRUCTURAL ELEMENTS (PLYWOOD, RAFTERS, DRYWALL ETC.) BY OTHERS & SHOWN FOR REFERENCE ONLY.
 2. ALL TUBE JOINTS & SEAMS TAPED WITH 2" FOIL TAPE (NOT SHOWN).
 3. DIMENSIONS IN BRACKETS ARE METRIC UNLESS OTHERWISE SPECIFIED.
 4. 6" MIN CLEARANCE SHOULD BE MAINTAINED FROM ALL SOLATUBE COMPONENTS AND OTHER PLENUM COMPONENTS.



**DETAIL A
SCALE 3:1**



**DETAIL C
SCALE 2:1**



**DETAIL B
SCALE 3:1**

**FULL SECTION
SCALE 1:1**

UNLESS OTHERWISE SPECIFIED: DIMENSIONS ARE IN INCHES TOLERANCES: ANGULAR: ±0.5° X ± .1 Ø ± .02 X ± .035		SOLATUBE INTERNATIONAL, INC. COPYRIGHT 2011 WWW.SOLATUBE.COM		<p>SOLATUBE. 2750 SPAK ROAD NEWBY MILPITAS, CALIFORNIA 95031-6541 PH (408) 907-4100</p>	
MATERIAL	DRAWN BY STEVENS	DATE 3/11/09	TITLE: 750 DS-C SELF FLASHING SUSPENDED CEILING		
FINISH	CHECKED BY	DATE	SIZE	DWG. NO. WEB-750-SF8-SC	
DO NOT SCALE DRAWING	APPROVED BY	DATE	SCALE: 1:1	REV 2	SHEET 1 OF 1