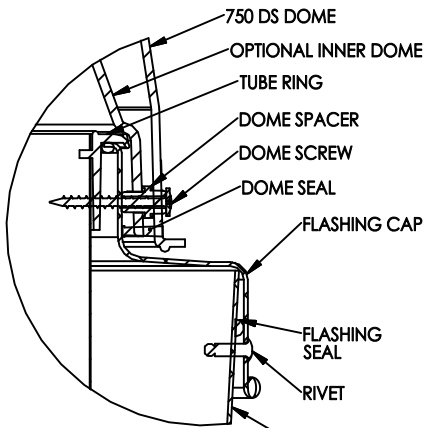
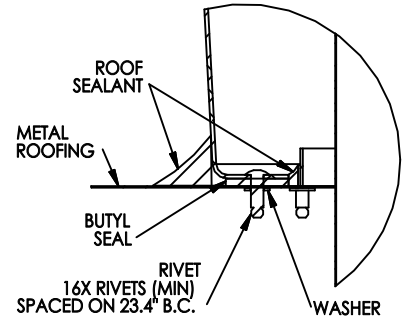


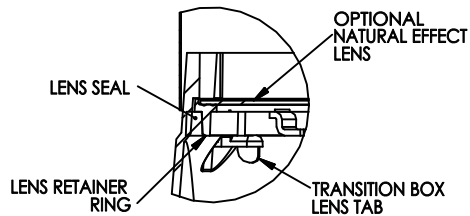
**SOLATUBE 750 DS-C  
(21 IN/530 MM)  
METAL ROOF FLASHING HARD CEILING  
OPTIONAL INNER DOME**



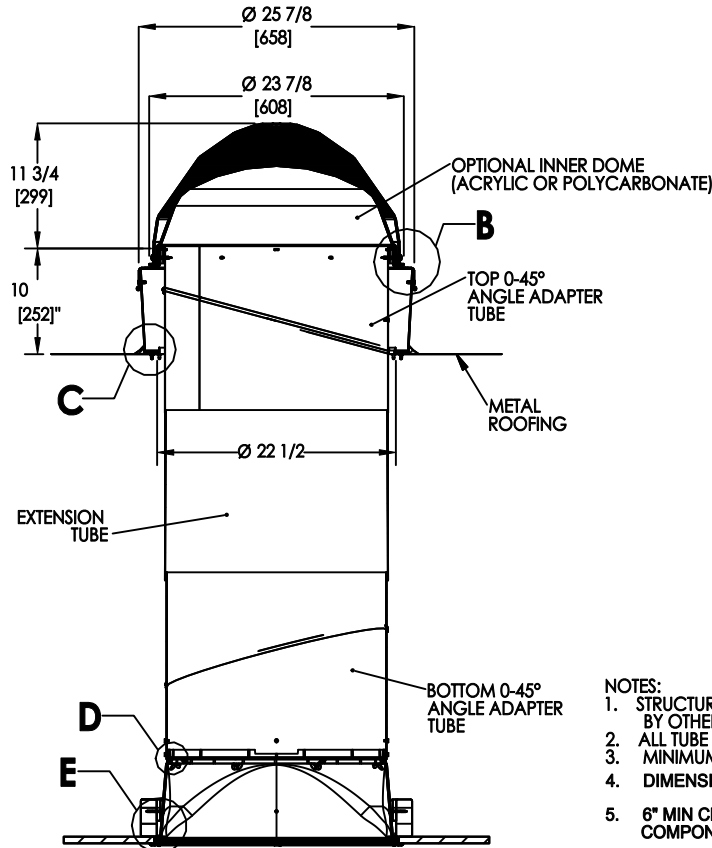
**DETAIL B  
SCALE 1 : 6**



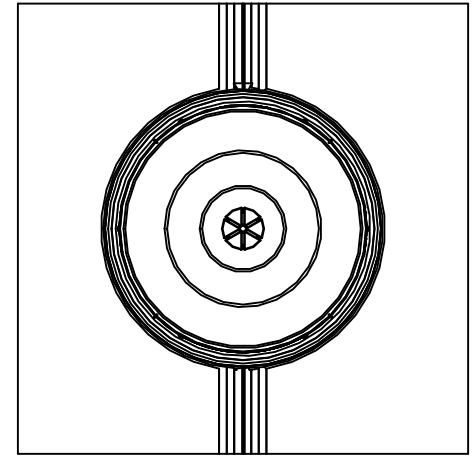
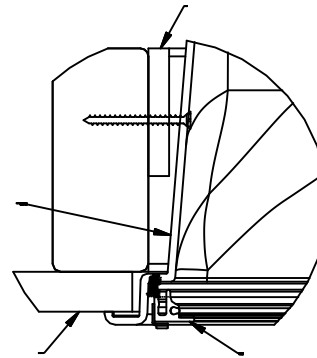
**DETAIL C  
SCALE 1 : 6**



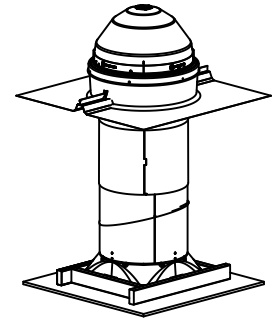
**DETAIL D  
SCALE 1 : 6**



**FULL SECTION**



**TOP VIEW**



- NOTES:**
1. STRUCTURAL ELEMENTS (ROOFING, RAFTERS, DRYWALL, ETC) BY OTHERS & SHOWN FOR REFERENCE ONLY
  2. ALL TUBE JOINTS & SEAMS TAPED WITH 2" FOIL TAPE (NOT SHOWN)
  3. MINIMUM ROOF SLOPE 2.4 DEGREES
  4. DIMENSIONS IN BRACKETS ARE METRIC UNLESS OTHERWISE SPECIFIED.
  5. 6" MIN CLEARANCE SHOULD BE MAINTAINED FROM ALL SOLATUBE COMPONENTS AND OTHER PLENUM COMPONENTS.

<b>UNLESS OTHERWISE SPECIFIED:</b>		<b>SOLATUBE INTERNATIONAL, INC. COPYRIGHT 2011</b>	
TOLERANCES ANGULAR: ±0.5°		<b>WWW.SOLATUBE.COM</b>	
INCH X ± .10		DRAWN BY STEVENS	DATE 2/15/10
MATERIAL --	CHECKED BY --	DATE --	
FINISH --	APPROVED BY --	DATE --	
<b>DO NOT SCALE DRAWING</b>			



**TITLE:**  
**750 DS-C METAL ROOF  
FLASHING/ HARD CEILING**

SIZE <b>B</b>	DWG. NO. <b>WEB-750-FSM-HC</b>	REV <b>4</b>
UNITS: INCH [MM]		SCALE: 1:12
SHEET 1 OF 1		