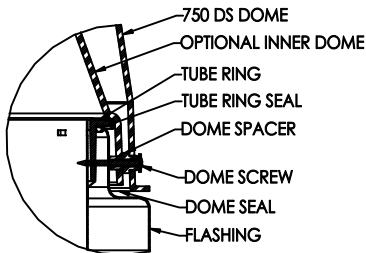
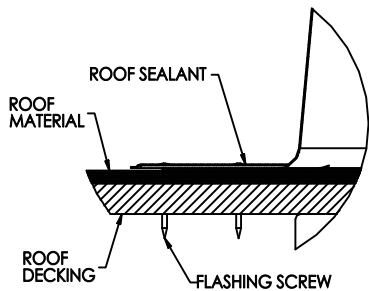


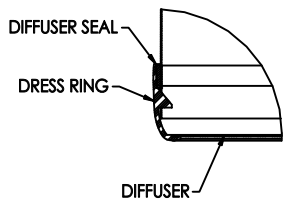
**SOLATUBE 750 DS-O
(21 IN/530 MM)
11" SELF FLASHING OPEN CEILING - NO ANGLE ADAPTER
WITH OPTIONAL INNER DOME**



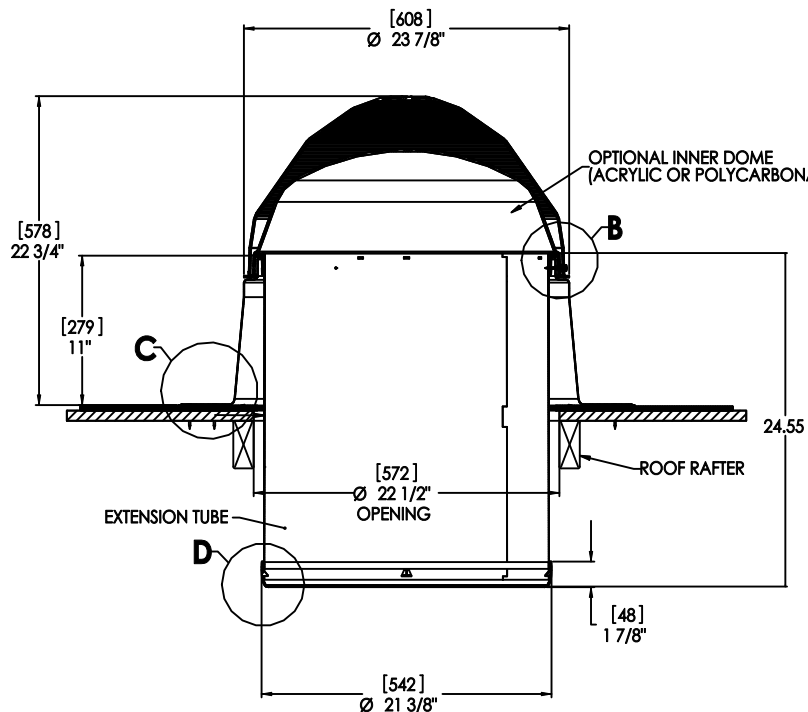
**DETAIL B
SCALE 3 : 1**



**DETAIL C
SCALE 3 : 1**

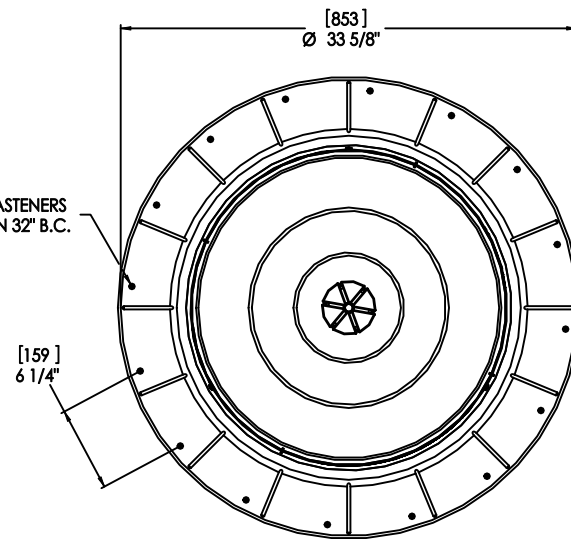


**DETAIL D
SCALE 3 : 1**

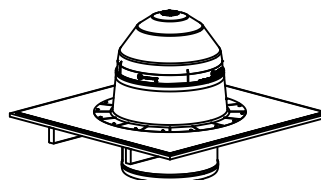


**FULL SECTION
SCALE 1:1**

16X FASTENERS
EQ. SP. ON 32" B.C.



**TOP VIEW
SCALE 1 : 2**



NOTES:

1. STRUCTURAL ELEMENTS (PLYWOOD, RAFTERS, DRYWALL ETC.) BY OTHERS & SHOWN FOR REFERENCE ONLY.
2. ALL TUBE JOINTS & SEAMS TAPED WITH 2" FOIL TAPE (NOT SHOWN).
3. DIMENSIONS IN BRACKETS ARE METRIC UNLESS OTHERWISE SPECIFIED.
4. 6" MIN CLEARANCE SHOULD BE MAINTAINED FROM ALL SOLATUBE COMPONENTS AND OTHER PLENUM COMPONENTS.

UNLESS OTHERWISE SPECIFIED:		SOLATUBE INTERNATIONAL, INC. COPYRIGHT 2007 WWW.SOLATUBE.COM			
DIMENSIONS ARE IN INCHES TOLERANCES: ANGULAR: ±0.5° X ± .1 X ± .02 XXX ± .005		DRAWN BY STEVENS		DATE 3/2/09	
MATERIAL -		CHECKED BY -		DATE -	
FINISH -		APPROVED BY -		DATE -	
DO NOT SCALE DRAWING				TITLE: 750 DS (21") SELF-FLASHING OPEN CEILING	
				SIZE: DWG. NO. WEB-750-SF11-OC-NA	
				SCALE: 1:1	
				REV 1 SHEET 1 OF 1	