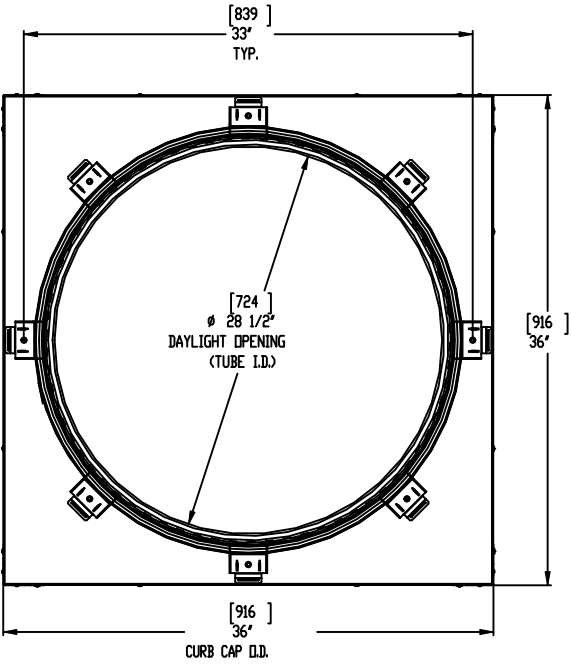
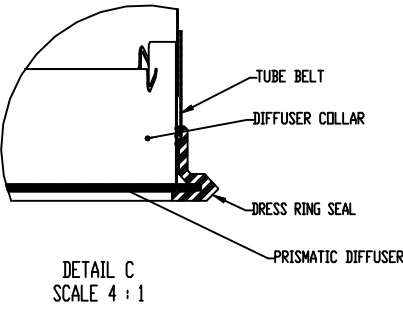


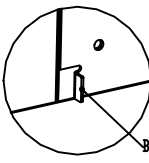
SOLATUBE M74 DS-D
(29 IN / 740 MM)
CURB CAP
OPEN CEILING



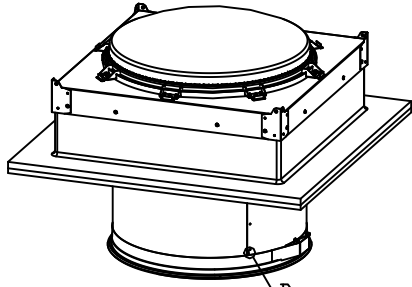
DETAIL B
SCALE 3 : 1



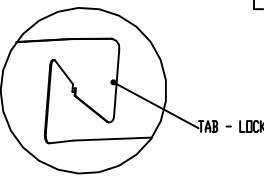
DETAIL C
SCALE 4 : 1



DETAIL D
SCALE 8 : 1



- NOTES:
1. STRUCTURAL ELEMENTS (PLYWOOD, RAFTERS, DRYWALL ETC.) BY OTHERS & SHOWN FOR REFERENCE ONLY.
 2. DIMENSIONS IN BRACKETS ARE METRIC UNLESS OTHERWISE SPECIFIED.
 3. 6\"/>



DETAIL E
SCALE 8 : 1

UNLESS OTHERWISE SPECIFIED		SOLATUBE INTERNATIONAL, INC. OPENING SIZE		TITLE	
DIMENSION TOLERANCE		WWW.SOLATUBE.COM		M74 DS CURB MOUNT OPEN CEILING	
FINISH	BY	DATE	BY	SIZE	REV
—	—	—	—	D	3
BY THIS SCALE DRAWING		DATE		SHEET 01	
—		—		1	
—		—		2	
—		—		3	
—		—		4	
—		—		5	
—		—		6	
—		—		7	
—		—		8	