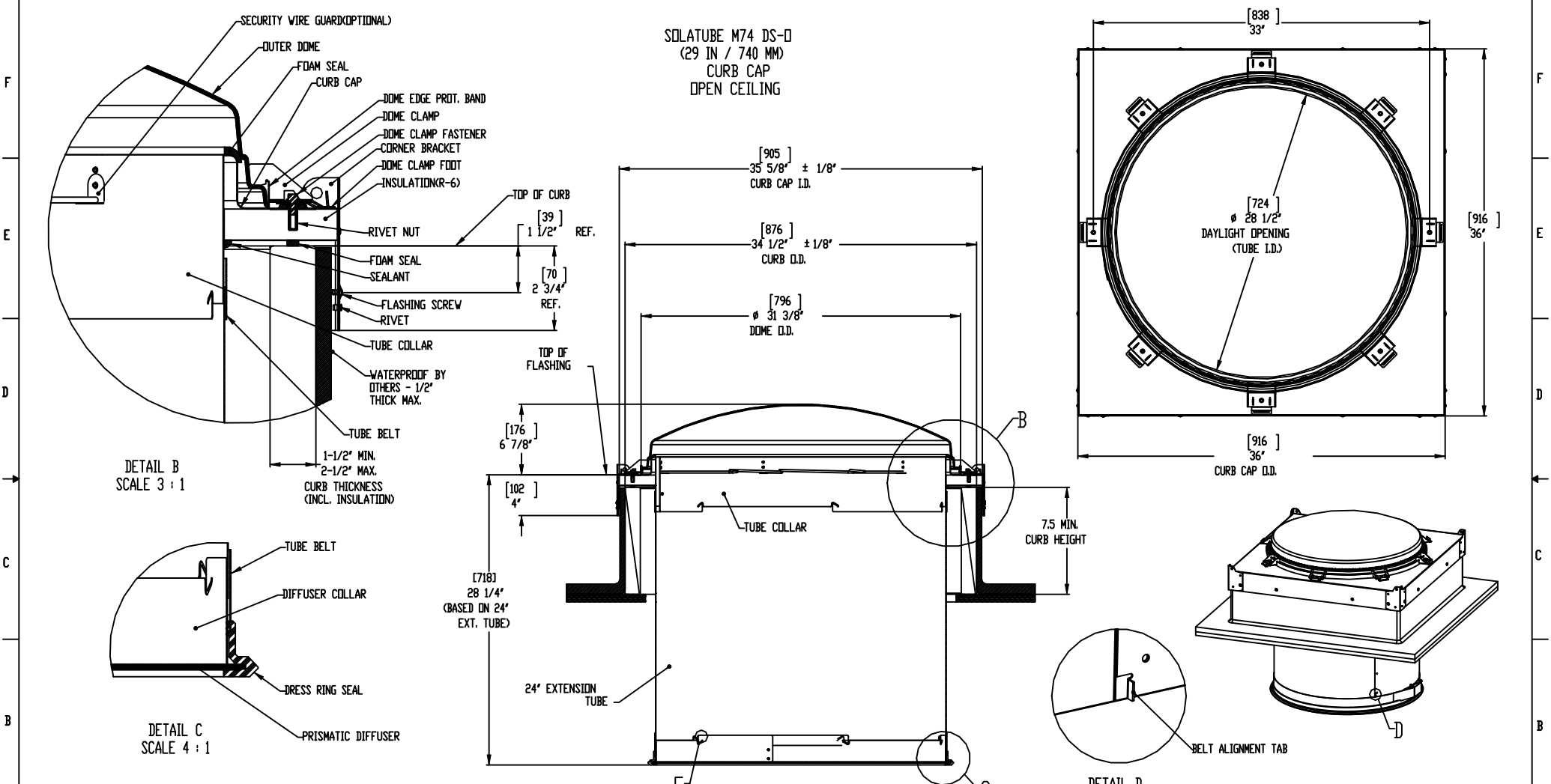


8 7 6 5 4 3 2 1



SOLATUBE M74 DS-D
(29 IN / 740 MM)
CURB CAP
OPEN CEILING

DETAIL B
SCALE 3 : 1

DETAIL C
SCALE 4 : 1

DETAIL D
SCALE 8 : 1

DETAIL E
SCALE 8 : 1

- NOTES:
1. STRUCTURAL ELEMENTS (PLYWOOD, RAFTERS, DRYWALL ETC.) BY OTHERS & SHOWN FOR REFERENCE ONLY.
 2. DIMENSIONS IN BRACKETS ARE METRIC UNLESS OTHERWISE SPECIFIED.
 3. 6" MIN CLEARANCE SHOULD BE MAINTAINED FROM ALL SOLATUBE COMPONENTS AND OTHER PLENUM COMPONENTS.

UNLESS OTHERWISE SPECIFIED		SOLATUBE INTERNATIONAL, INC. OFFSHORE DES		TITLE: M74 DS CURB MOUNT OPEN CEILING	
DIMENSION TOLERANCE		WWW.SOLATUBE.COM		SIZE: INS. NO. SM74DS-D-DP-FC-DC	
INCH	FRACTIONS	BY	DATE	REV	3
± 1/8"	± 1/16"	DESIGNED BY	DATE	SM74DS-D-DP-FC-DC	
± 1/4"	± 1/32"	CHECKED BY	DATE	SCALE: 1/4"	SHEET 1 OF 1
± 3/8"	± 1/16"	APPROVED BY	DATE		
± 1/2"	± 1/8"	BY	DATE		