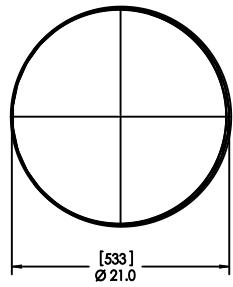


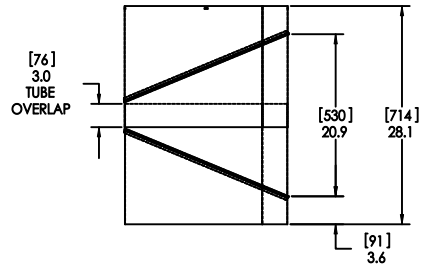
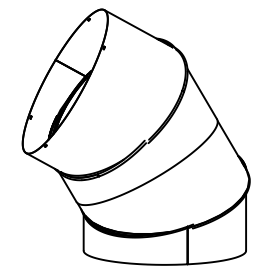
8 7 6 5 4 3 2 1

| REVISIONS |     |         |         |         |          |
|-----------|-----|---------|---------|---------|----------|
| REV.      | ECO | DATE    | REVISED | CHECKED | APPROVED |
| A         |     | 4/29/11 |         |         |          |

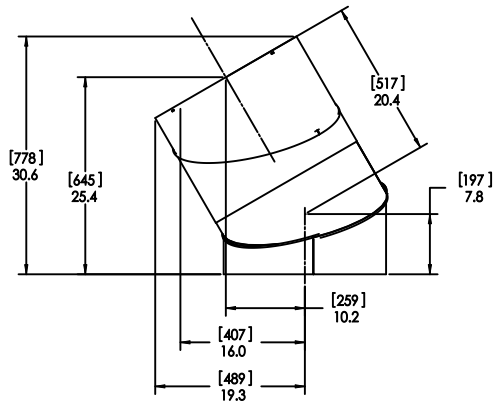


TOP VIEW  
STRAIGHT

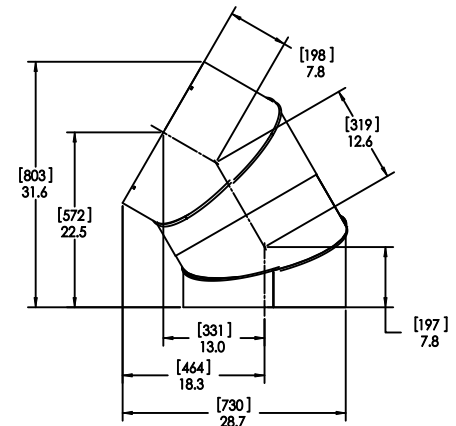
**SOLATUBE 0-90 DEGREE  
EXTENSION TUBE FOR  
SOLATUBE 330 DS OR  
SOLATUBE 750 DS**



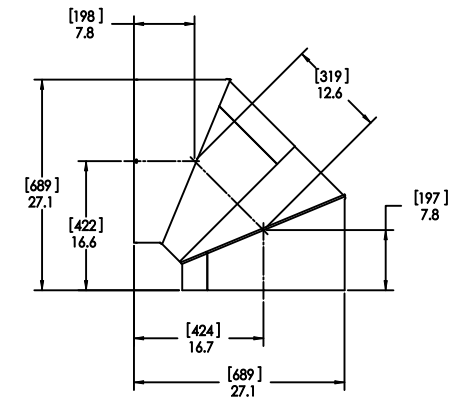
STRAIGHT



30° ANGLE



60° ANGLE



90° ANGLE

- NOTES:
1. DIMENSIONS IN BRACKETS ARE METRIC UNLESS OTHERWISE SPECIFIED.
  2. 1/8" MIN. CLEARANCE SHOULD BE MAINTAINED FROM ALL SOLATUBE COMPONENTS AND OTHER PLENUM COMPONENTS.
  3. ASSEMBLY REQUIRED; KIT CONTAINS TWO (2) 45 DEGREE ANGLE ADAPTERS.
  4. DIMENSIONS REFLECT MAXIMUM TUBE OVERLAP.

|                             |  |                                                                   |  |                              |  |
|-----------------------------|--|-------------------------------------------------------------------|--|------------------------------|--|
| UNLESS OTHERWISE SPECIFIED: |  | SOLATUBE INTERNATIONAL INC.<br>COPYRIGHT 2010<br>WWW.SOLATUBE.COM |  |                              |  |
| TOLERANCES                  |  | ANGULARS: ±0.5°                                                   |  | TITLE: 0-90 DEGREE EXT. TUBE |  |
| INCH                        |  | MILLIMETER                                                        |  | 330 DS OR 750 DS             |  |
| ±.01                        |  | ±.25                                                              |  | DWG. NO. WEB-750-90DEG-EXT   |  |
| ±.06                        |  | ±.15                                                              |  | REV A                        |  |
| DO NOT SCALE DRAWING        |  | APPROVED BY                                                       |  | DATE                         |  |
| DRAWN BY STEVENS            |  | DATE 4/29/11                                                      |  | SHEET 1 OF 1                 |  |
| CHECKED BY                  |  | DATE                                                              |  |                              |  |
| FINISH                      |  | DATE                                                              |  |                              |  |

8 7 6 5 4 3 2 1