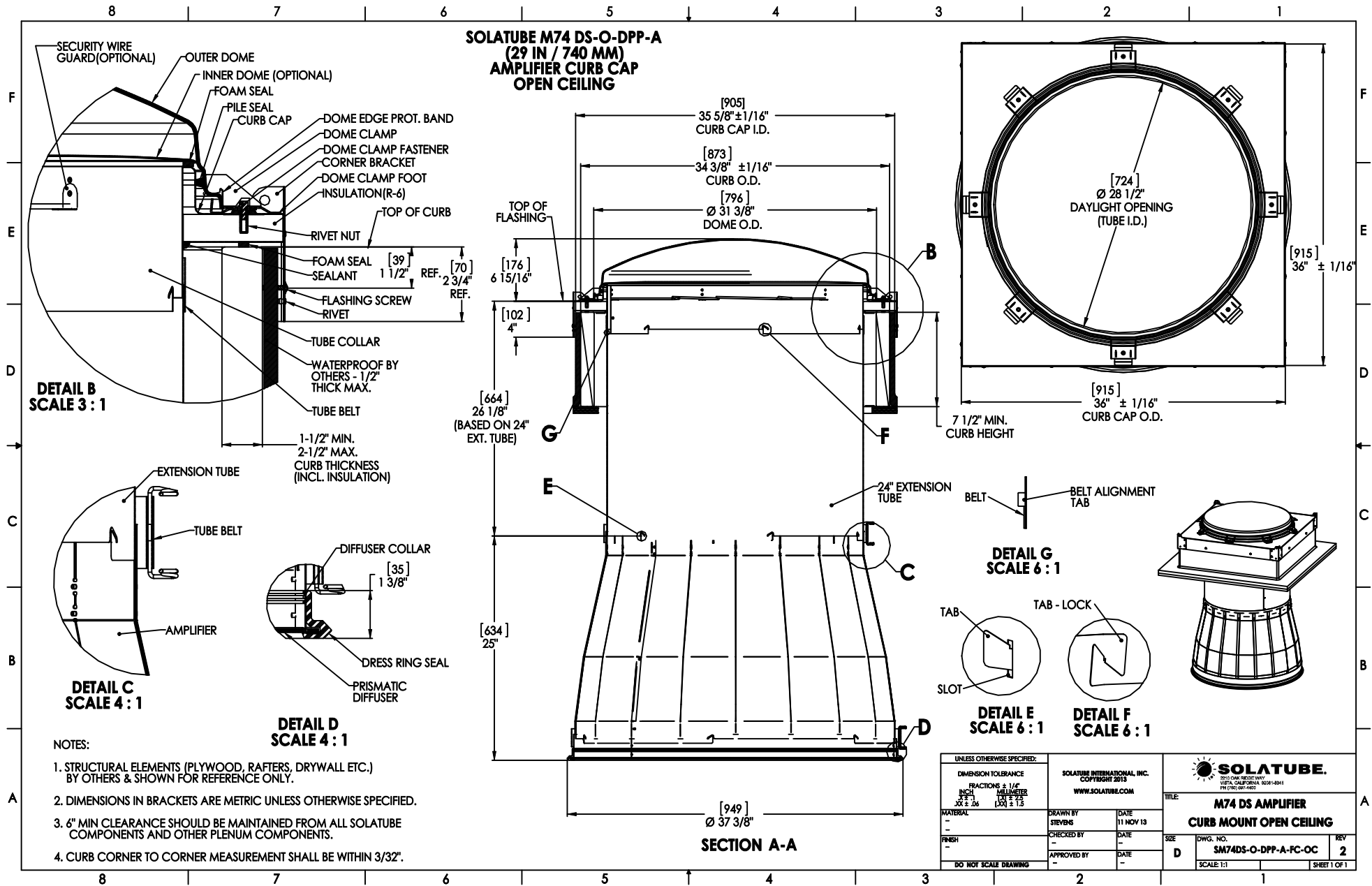


**SOLATUBE M74 DS-O-DPP-A  
(29 IN / 740 MM)  
AMPLIFIER CURB CAP  
OPEN CEILING**



**DETAIL B  
SCALE 3 : 1**

**DETAIL C  
SCALE 4 : 1**

**DETAIL D  
SCALE 4 : 1**

**DETAIL G  
SCALE 6 : 1**

**DETAIL E  
SCALE 6 : 1**

**DETAIL F  
SCALE 6 : 1**

**SECTION A-A**

- NOTES:
1. STRUCTURAL ELEMENTS (PLYWOOD, RAFTERS, DRYWALL ETC.) BY OTHERS & SHOWN FOR REFERENCE ONLY.
  2. DIMENSIONS IN BRACKETS ARE METRIC UNLESS OTHERWISE SPECIFIED.
  3. 6" MIN CLEARANCE SHOULD BE MAINTAINED FROM ALL SOLATUBE COMPONENTS AND OTHER PLENUM COMPONENTS.
  4. CURB CORNER TO CORNER MEASUREMENT SHALL BE WITHIN 3/32".

UNLESS OTHERWISE SPECIFIED:		SOLATUBE INTERNATIONAL, INC. COPYRIGHT 2013 WWW.SOLATUBE.COM		<b>SOLATUBE</b> <small>2910 OAK STREET WEST, CALIFORNIA, 92381-8841 PHONE: 951-442-1000</small>	
DIMENSION TOLERANCE FRACTIONS ± 1/16" INCH 3/32 - 1/8 MILLIMETER .06 ± .06 (X30) ± 1.5		DRAWN BY STEVENS	DATE 11 NOV 13	TITLE <b>M74 DS AMPLIFIER CURB MOUNT OPEN CEILING</b>	
MATERIAL -	FINISH -	CHECKED BY -	DATE -	SIZE D	REV 2
DO NOT SCALE DRAWING		APPROVED BY -	DATE -	DWG. NO. <b>SM74DS-O-DPP-A-PC-OC</b> SCALE: 1:1	
				SHEET 1 OF 1	