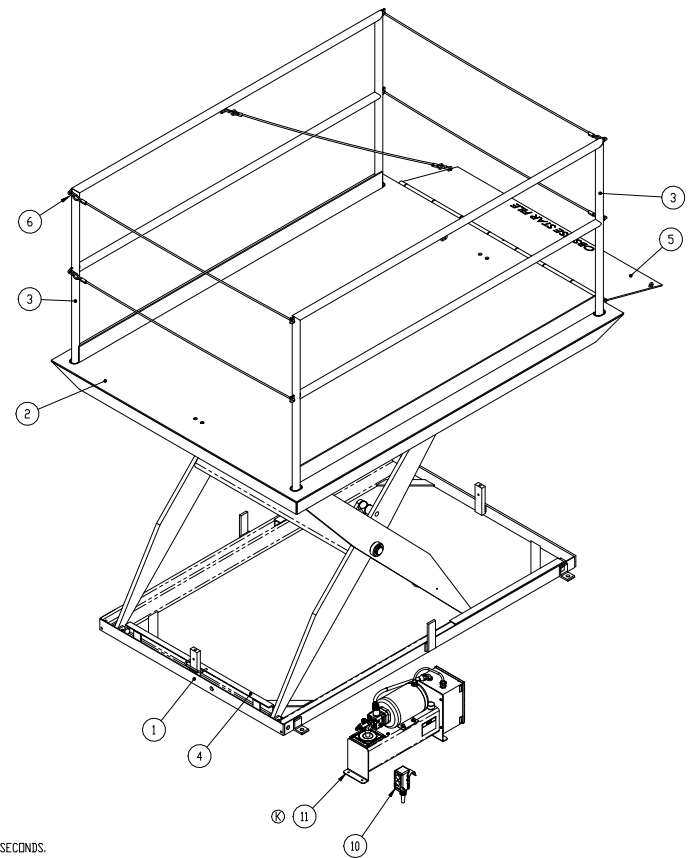


REVISIONS				
REV.	DESCRIPTION	DATE	REVISED BY	ECO #
A	INITIAL RELEASE, REPLACES 4434501	03-02-11		
B	ITEM 12 WAS 2800793 QTY 1	7/18/2011	YGH	R3038
C	UPDATED BURER; CORRECTED CONFIG BOM CONFLICT	8/11/2012	SMS	
D	CORRECTED DESCRIPTION, WAS "CEP7-ED18B"	2/26/2013	KUJ	
E	ITEM 2 WAS 60032977	4/28/2014	JCW	R6225
F	ITEM 1 WAS 60032100	2/12/2015	HMS	R7416
G	ITEM 8 WAS 30829057	5/21/2015	JCW	R7844
H	ITEM 7 WAS 3048491. ITEM 12 WAS 10055160 QTY 1	8/18/2015	HMS	R8285
J	UPDATE DRAWING VIEWS	1/9/2018	HMS	
K	CORRECTED BALLOON FOR ITEM 11.	3/17/2019	DLK	



GENERAL DESCRIPTION:

1. MODEL: DDL5-59M.
2. CAPACITY: 5000 LBS. UNIFORM LOAD.
3. ROLL-OVER CAPACITY: 10,000 LBS.
4. PLATFORM: 72 X 96.
5. THROW-OVER PLATE: 18X60.
6. LOWERED HEIGHT: 8\"/>

ITEM NO.	QTY.	U/M	DESCRIPTION	PART NO.
11	1	EA	HY PU E 3P 32HP 2.8GPM	60032352
10	1	EA	EL PB HELD NM	3003810
9		REF	TI ENGINEERING PROCEDURES & INSTRUCTIONS	60031332
8		REF	HY PLUMBING SCHEMATIC	60050722
7		REF	EL WIRING DIAG 208/230/460 AC XFMR	3003755
6	1	EA	ACH SNAP CH ASSY	60032554
5	1	EA	ACD T/D PL 1 PL 60.00X18.00 DT	60032530
4	1	EA	HY ARR E DL5-59 GALV 54W	60032189
3	2	EA	ACH HNDRL WM 89.00X4.00 REM	3001778
2	1	EA	TP PF LIFT 72.00X96.00 BVL DDL5-59	60043823
1	1	EA	BA CF KIT DDL5-59	60049715

 3RD ANGLE PROJECTION	FRACTIONS: 1/8, 1/4, 3/8, 1/2, 3/4, 1, 1 1/4, 1 1/2, 2, 3, 4, 5, 6, 8, 10, 12, 15, 20, 25, 30, 40, 50, 60, 75, 100, 125, 150, 200, 250, 300, 400, 500, 600, 800, 1000	UNLESS OTHERWISE SPECIFIED, DIMENSIONS ARE IN INCHES	RELEASED: _____ PROJECT: _____ TITLE: TL DDL5-59M 72.00X96.00B 460E PB	SOUTHORTH PRODUCTS CORP. P.O. Box 1380 Portland Maine 04104-1380	REFERENCE: 4434501 DATE: 03/02/11 SCALE: 3/32 MODEL: - SHEET 1 OF 1
	USE OF PROPRIETARY INFORMATION LIMITED TO WRITTEN AGREEMENT	DRAWING NO. DDL5-59 SHEET 1 OF 1	REV. _____ DATE: _____ BY: _____ CHECKED: _____ APPROVED: _____		