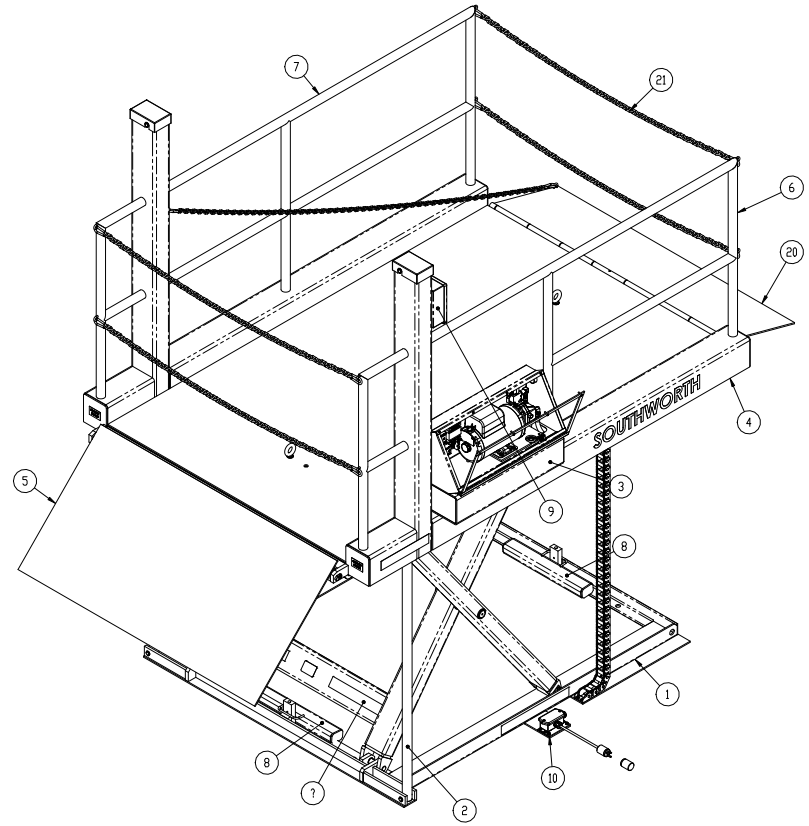
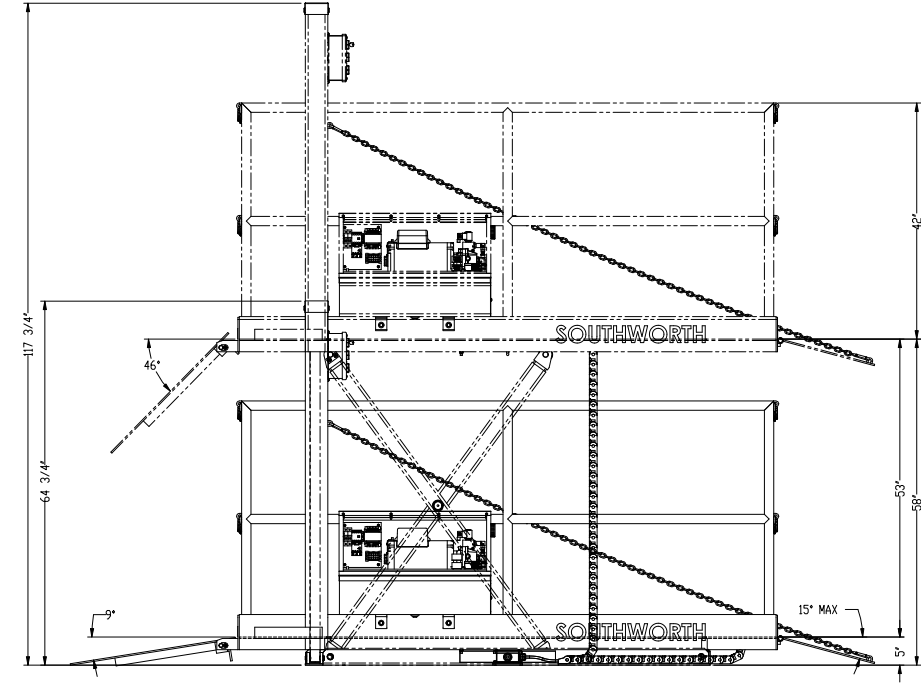
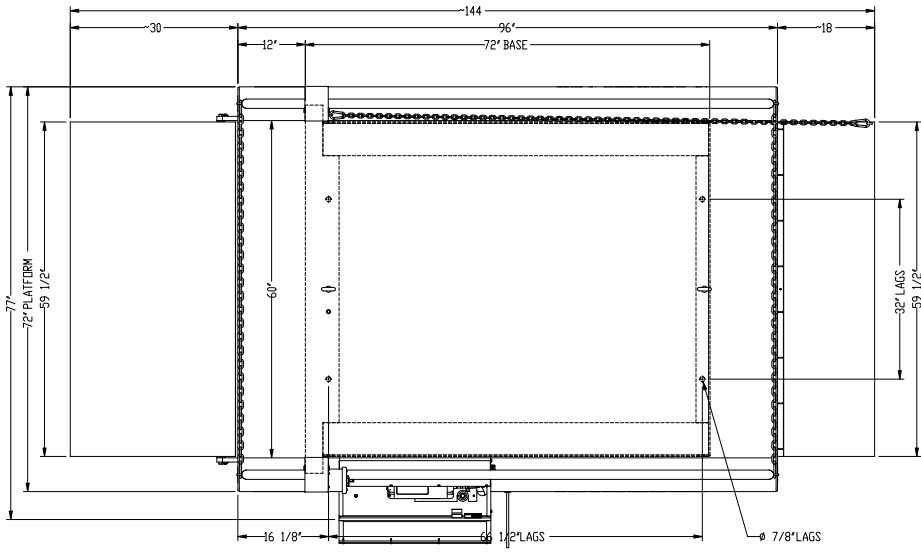


REVISIONS				
REV.	DESCRIPTION	DATE	REVISED BY	ECD #
A	ITEM 11 WAS 6004794 QTY 1, ITEM 14 WAS 10074140 QTY 2 GAL, ITEM 15 WAS 10074158 QTY 1 GAL, ITEM 16 WAS 10074159 QTY 1 GAL, ADDED ITEM 21.	2/16/2015	HMS	R7432



GENERAL DESCRIPTION

- MODEL: SMDL5-53
- CAPACITY: 5,000 LBS UNIFORM LOAD
- PLATFORM: 72" X 96" DIAMOND TREAD
  - 18" X 60" THROWOVER PLATE
  - 30" X 60" RAMP
  - FIXED HANDRAILS
- SNAP CHAINS
- BASE FRAME: 60" X 72" W/ LAGS, DROP-IN CHOCKS & LIFTING EYES
- LOWERED HEIGHT: 57"
- VERTICAL TRAVEL: 53"
- RAISED HEIGHT: 58"
- ELEVATING TIME: 34 SECONDS (APPROX)
- LOWERING TIME: ADJUSTABLE W/ PRESSURE COMPENSATED FLOW CONTROL
- POWER UNIT: MOUNTED 3/2 HP 4 GPM W/ BIODEGRADABLE OIL
- PRIMARY VOLTAGE: 230/1/60
- CONTROL VOLTAGE: 24/1/60
- CONTROL PANEL: NEMA 3 INTEGRATED W/ HPU
- CONTROL: NEMA 4 MOUNTED PUSHBUTTON W/ KEY LOCK-OUT
- FINISH:
  - BASE, LEGS, HPU & PUSHBUTTON PAINTED SOUTHWORTH GRAY
  - MACHINERY ENAMEL
  - PLATFORM, HANDRAILS, RAMP & THROWOVER PLATE PAINTED SAFETY YELLOW MACHINERY ENAMEL
  - BLACK OXIDE PINS & ROLLERS.

QTY.	U/M	DESCRIPTION	PART NO.
21	1	EA ACH SNAP CH ASSY	60047122
20	1	EA ACD T/D PL 1 PL 59.50X18.00 DT	60047056
19	2	EA EL FUSE BUSS FNO-R-5	2166116
18		REF EL WIRING DIAG 115/230 AC XFMR	60048413
17		REF HY PLUMBING SCHEMATIC	60047227
16	4	GAL CHF HF BID CONDCD ECOTERRA 32	10051534
15	1	EA LB KIT LDC DIAG DL SOUTHW	60048395
14			
13			
12			
11	1	EA EL DLRE SPRSCH CT7N-23-C16	10055164
10	1	EA EL JBOX ARR SMDL	60048398
9	1	EA EL PB WALL MT N4	60049704
8	2	EA ACK MAINT CL CHK WM 3.00X20.00	60048408
7	1	EA ACH HNDRL WM 93.00X38.00 WLD MID POST	60047038
6	1	EA DBSDLETE	60047037
5	1	EA ACD T/D PL 1 PL 59.50X30.00 DT	60047066
4	1	EA TP PF LIFT 72.00X96.00 STR SMDL5-53	60048012
3	1	EA HY PU E IP 3.2HP 4GPM 3.1UGAL	60048401
2	1	EA HY ARR 1 SMDL5-53 60W	60048310
1	1	EA BA B&L ASSY SMDL5-53 60.00X72.00	60048341

3RD ANGLE PROJECTION  
UNLESS OTHERWISE SPECIFIED DIMENSIONS ARE IN INCHES  
USE OF PROPRIETARY INFORMATION LIMITED TO WRITTEN AGREEMENT

FRACCTIONS 1/8 3/16 1/4 3/8 1/2 5/8 3/4 7/8 1 1 1/8 1 1/4 1 1/2 1 3/4 2 2 1/4 2 1/2 3 3 1/4 3 1/2 4 4 1/4 4 1/2 5 5 1/4 5 1/2 6 6 1/4 6 1/2 7 7 1/4 7 1/2 8 8 1/4 8 1/2 9 9 1/4 9 1/2 10 10 1/4 10 1/2 11 11 1/4 11 1/2 12 12 1/4 12 1/2 13 13 1/4 13 1/2 14 14 1/4 14 1/2 15 15 1/4 15 1/2 16 16 1/4 16 1/2 17 17 1/4 17 1/2 18 18 1/4 18 1/2 19 19 1/4 19 1/2 20 20 1/4 20 1/2 21 21 1/4 21 1/2 22 22 1/4 22 1/2 23 23 1/4 23 1/2 24 24 1/4 24 1/2 25 25 1/4 25 1/2 26 26 1/4 26 1/2 27 27 1/4 27 1/2 28 28 1/4 28 1/2 29 29 1/4 29 1/2 30 30 1/4 30 1/2 31 31 1/4 31 1/2 32 32 1/4 32 1/2 33 33 1/4 33 1/2 34 34 1/4 34 1/2 35 35 1/4 35 1/2 36 36 1/4 36 1/2 37 37 1/4 37 1/2 38 38 1/4 38 1/2 39 39 1/4 39 1/2 40 40 1/4 40 1/2 41 41 1/4 41 1/2 42 42 1/4 42 1/2 43 43 1/4 43 1/2 44 44 1/4 44 1/2 45 45 1/4 45 1/2 46 46 1/4 46 1/2 47 47 1/4 47 1/2 48 48 1/4 48 1/2 49 49 1/4 49 1/2 50 50 1/4 50 1/2 51 51 1/4 51 1/2 52 52 1/4 52 1/2 53 53 1/4 53 1/2 54 54 1/4 54 1/2 55 55 1/4 55 1/2 56 56 1/4 56 1/2 57 57 1/4 57 1/2 58 58 1/4 58 1/2 59 59 1/4 59 1/2 60 60 1/4 60 1/2 61 61 1/4 61 1/2 62 62 1/4 62 1/2 63 63 1/4 63 1/2 64 64 1/4 64 1/2 65 65 1/4 65 1/2 66 66 1/4 66 1/2 67 67 1/4 67 1/2 68 68 1/4 68 1/2 69 69 1/4 69 1/2 70 70 1/4 70 1/2 71 71 1/4 71 1/2 72 72 1/4 72 1/2 73 73 1/4 73 1/2 74 74 1/4 74 1/2 75 75 1/4 75 1/2 76 76 1/4 76 1/2 77 77 1/4 77 1/2 78 78 1/4 78 1/2 79 79 1/4 79 1/2 80 80 1/4 80 1/2 81 81 1/4 81 1/2 82 82 1/4 82 1/2 83 83 1/4 83 1/2 84 84 1/4 84 1/2 85 85 1/4 85 1/2 86 86 1/4 86 1/2 87 87 1/4 87 1/2 88 88 1/4 88 1/2 89 89 1/4 89 1/2 90 90 1/4 90 1/2 91 91 1/4 91 1/2 92 92 1/4 92 1/2 93 93 1/4 93 1/2 94 94 1/4 94 1/2 95 95 1/4 95 1/2 96 96 1/4 96 1/2 97 97 1/4 97 1/2 98 98 1/4 98 1/2 99 99 1/4 99 1/2 100 100 1/4 100 1/2

REVISION PENDING  
PROJECT: 7421B  
DATE: 09/10/14  
SCALE: 1/2" = 1'-0"  
SHEET 1 OF 1

SOUTHORTH PRODUCTS CORP.  
P.O. Box 1380 Portland, Maine 04104-1380  
TEL: 45000457 FAX: 06328 INT: 2607 LB  
SCALE: 1/2" = 1'-0"  
SHEET 1 OF 1

TL SMDL5-53M 72.00X96.00 230B PB  
D SMDL5-53  
A