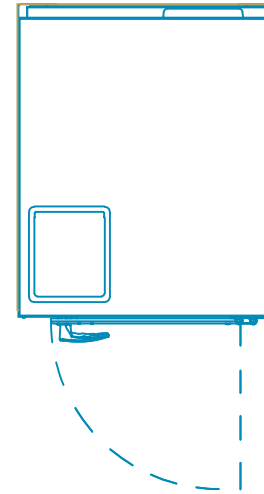
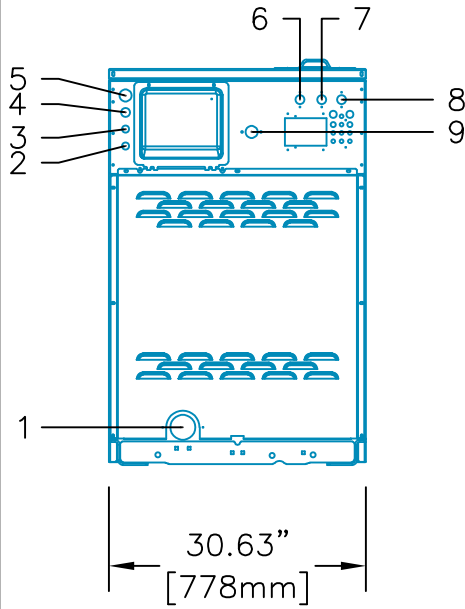


**LEGEND:**

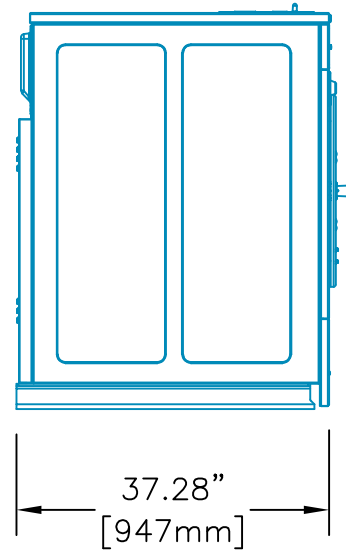
- |                      |                         |
|----------------------|-------------------------|
| 1: DRAIN OUTLET      | 6: COLD FILL VALVE      |
| 2: 7/8" ELECTRICAL   | 7: HOT FILL VALVE       |
| 3: 7/8" ELECTRICAL   | 8: COLD HARD FILL VALVE |
| 4: 1 1/8" ELECTRICAL | 9: STEAM VALVE          |
| 5: 1 1/2" ELECTRICAL |                         |



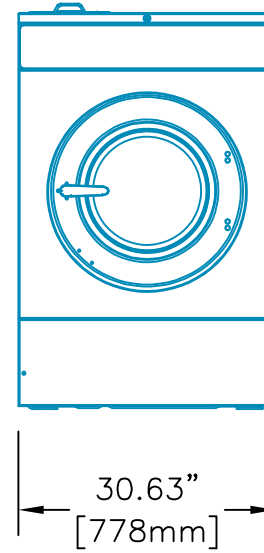
**PLAN VIEW**



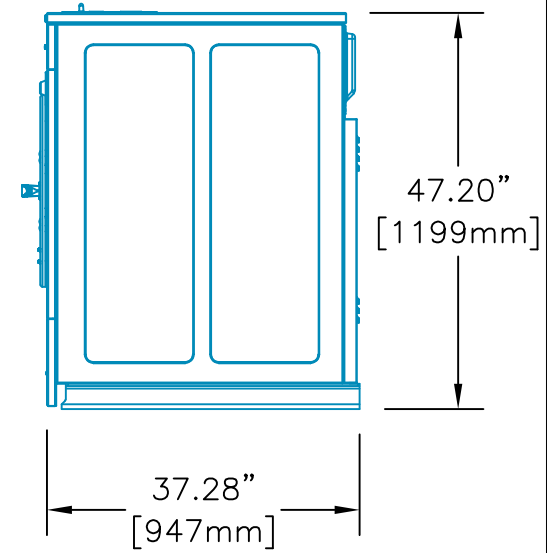
**REAR VIEW**



**LEFT SIDE VIEW**



**FRONT VIEW**



**RIGHT SIDE VIEW**

# 40 LB. HARDMOUNT WASHER-EXTRACTOR (SCT040)



Equipment specifications are subject to change without notice. Please use this drawing along with the installation manuals for updated equipment installation requirements.

KRP	CAD BLOCK	23-Jun-22
Drawn by	Description	Date