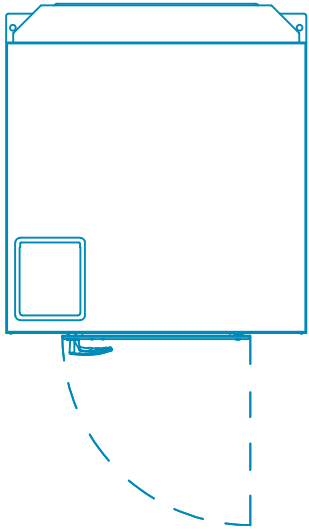
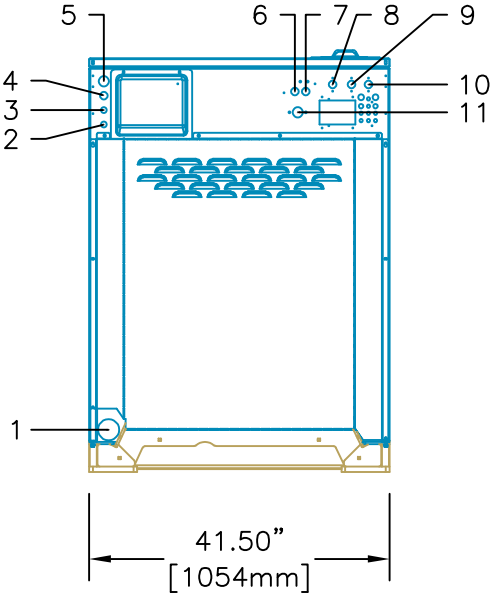


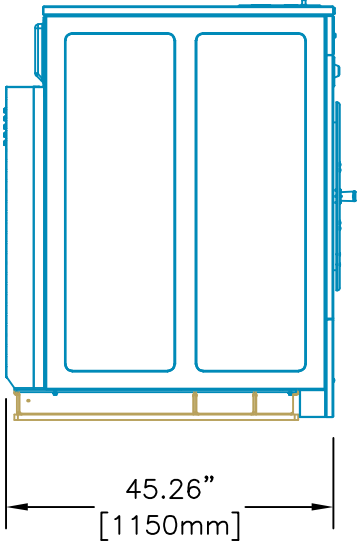
LEGEND:	
1: DRAIN OUTLET	8: COMPARTMENT COLD FILL VALVE
2: 7/8" ELECTRICAL	9: COMPARTMENT HOT FILL VALVE
3: 7/8" ELECTRICAL	10: COLD HARD FILL VALVE
4: 1 1/8" ELECTRICAL	11: STEAM VALVE
5: 1 1/2" ELECTRICAL	
6: TUB COLD FILL VALVE	
7: TUB HOT FILL VALVE	



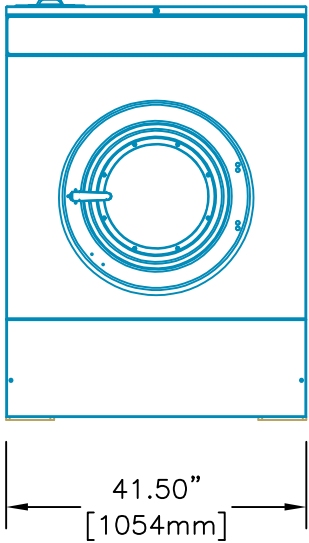
PLAN VIEW



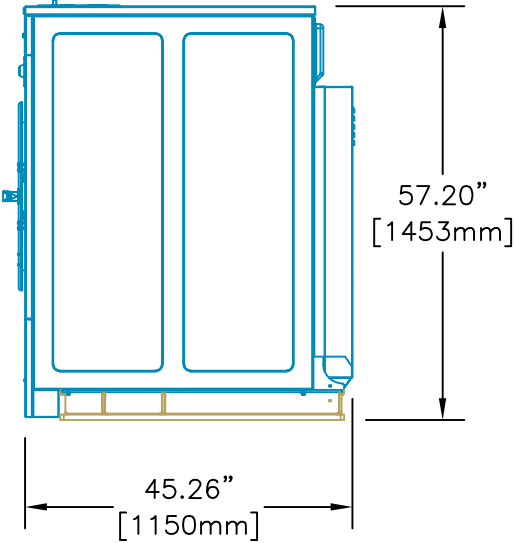
REAR VIEW



LEFT SIDE VIEW



FRONT VIEW



RIGHT SIDE VIEW

80 LB. HARDMOUNT WASHER-EXTRACTOR (SCT080)



Equipment specifications are subject to change without notice. Please use this drawing along with the installation manuals for updated equipment installation requirements.

KRP	CAD BLOCK	23-Jun-22
Drawn by	Description	Date