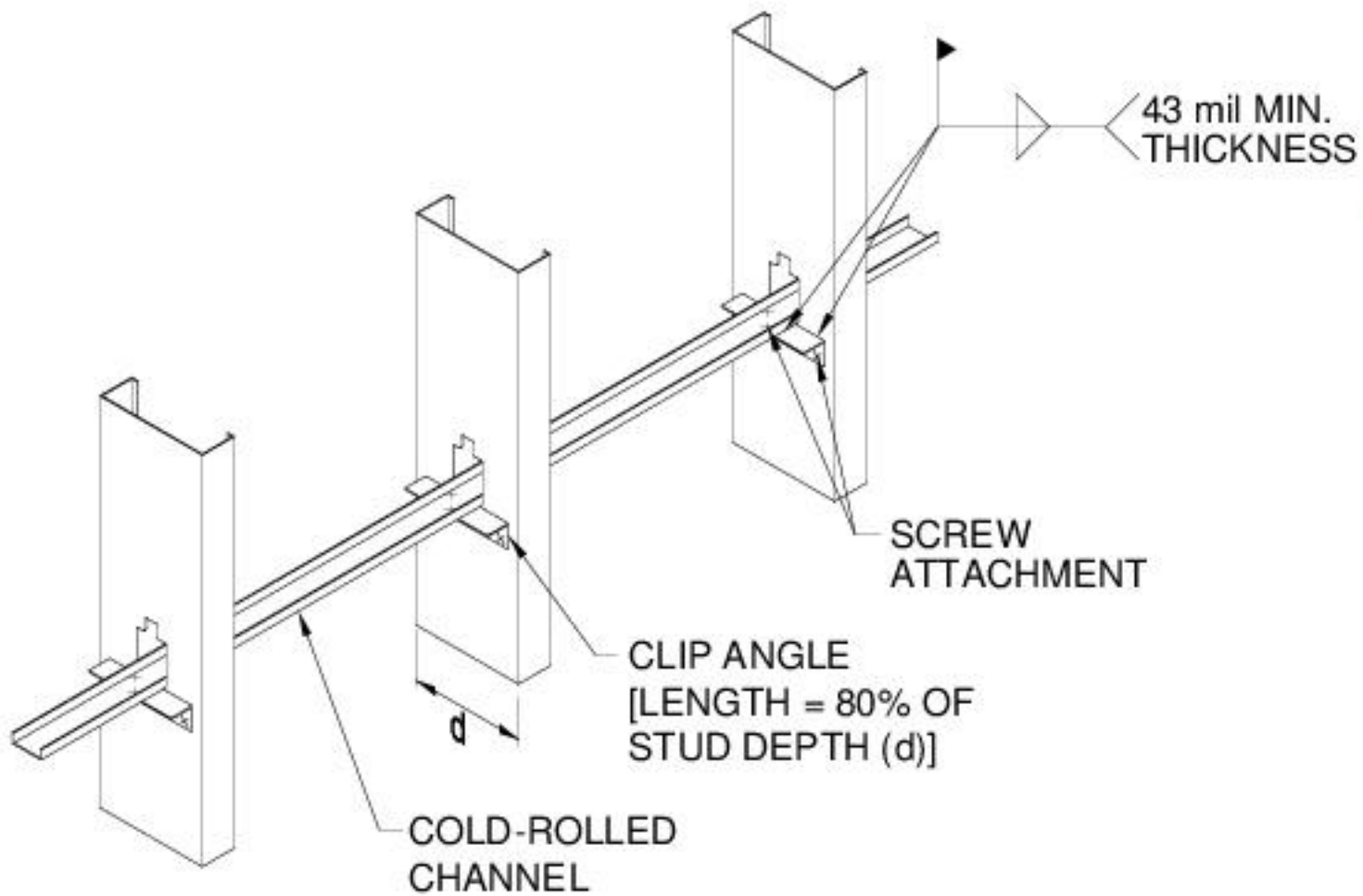


Bridging Cold-rolled Channel With Clip Angle



ADVANTAGES:

1. Ease of installation of cold-rolled channel through pre-aligned stud punchouts.

DISADVANTAGES:

1. Requires stud punchouts to align.
2. Centerline bridging not very effective for torsional resistance for studs greater than 6 inches in depth.