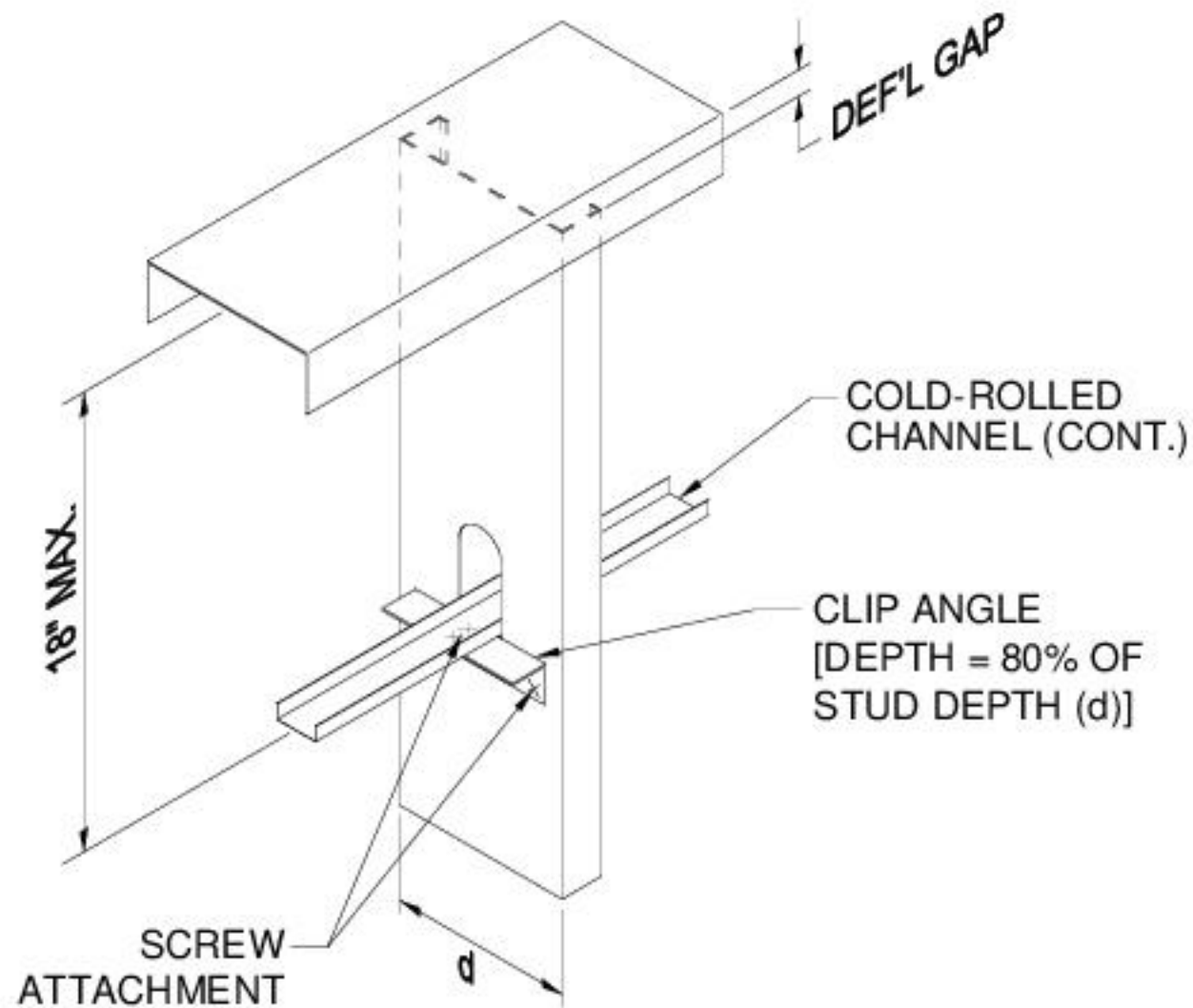


Deflection Track Assembly Single Track with Cold-rolled Channel



ADVANTAGES:

1. Allows both vertical and horizontal movement of the structure above which supports the deflection track.

DISADVANTAGES:

1. *Difficult to hold stud in place until cladding is installed.*
2. *Doesn't provide lateral support of the studs parallel to the wall other than the use of the cladding material.*