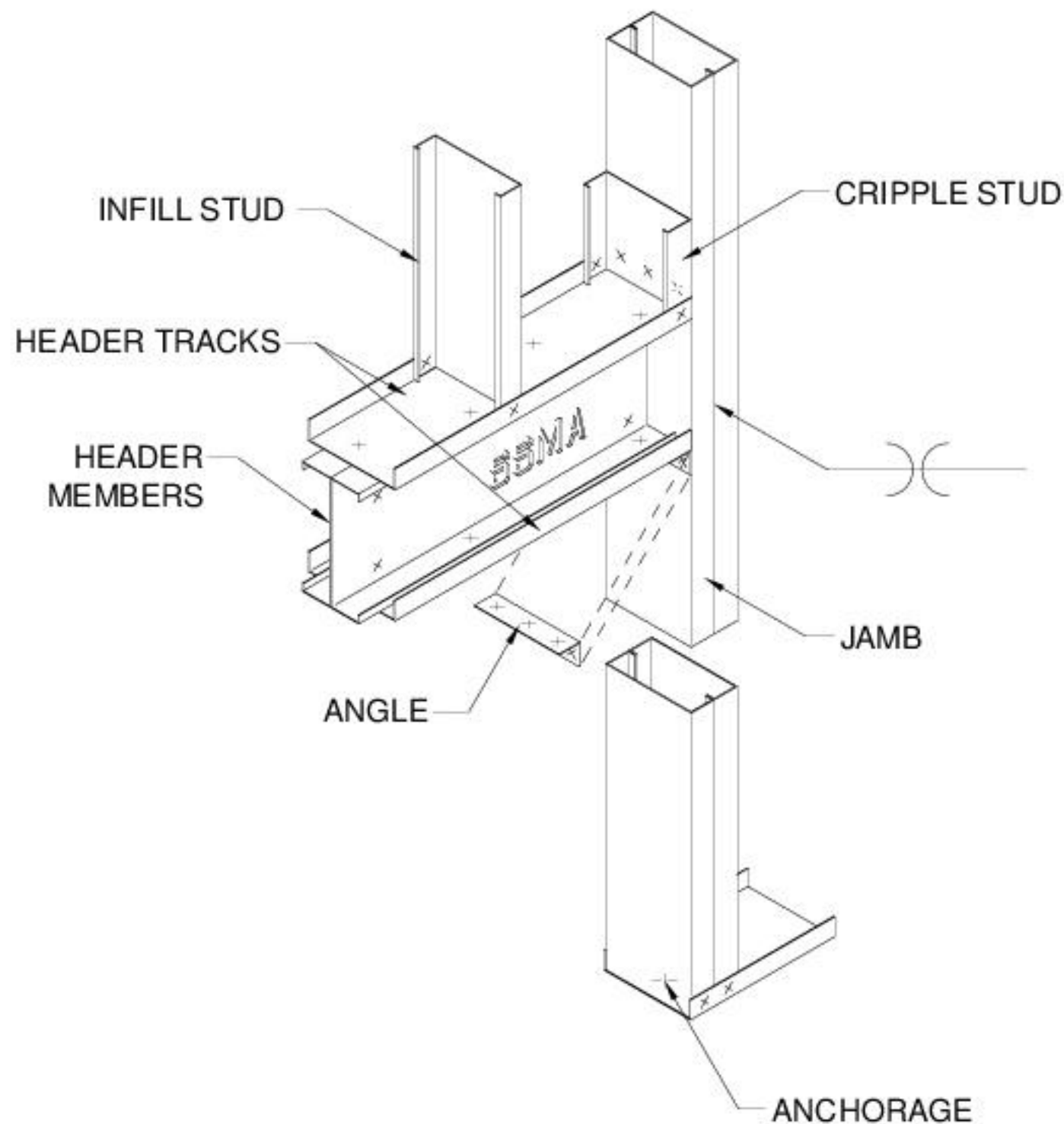


Door - Load Bearing Back to Back Header Boxed Jamb



ADVANTAGES:

1. Use of cripple stud to receive head/sill tracks at jamb studs helps maintain alignment of finishes.
2. Back to back header reduces web-crippling reinforcement requirements.
3. Boxed jamb studs welded together reduces material build-up and finish problems.
4. Provides better load transfer from jamb stud to base track vs. single jamb stud.

DISADVANTAGES:

1. Requires the clip angle below the head track to be sized to transfer the vertical load from the head into the jamb.
2. Back to back headers will not provide backing for attaching window covering support.
3. High-end reactions for single web jamb studs may require reinforcement to reduce web-crippling failure.
4. Requires 43 mil and thicker jamb stud material so weld can be made easily.