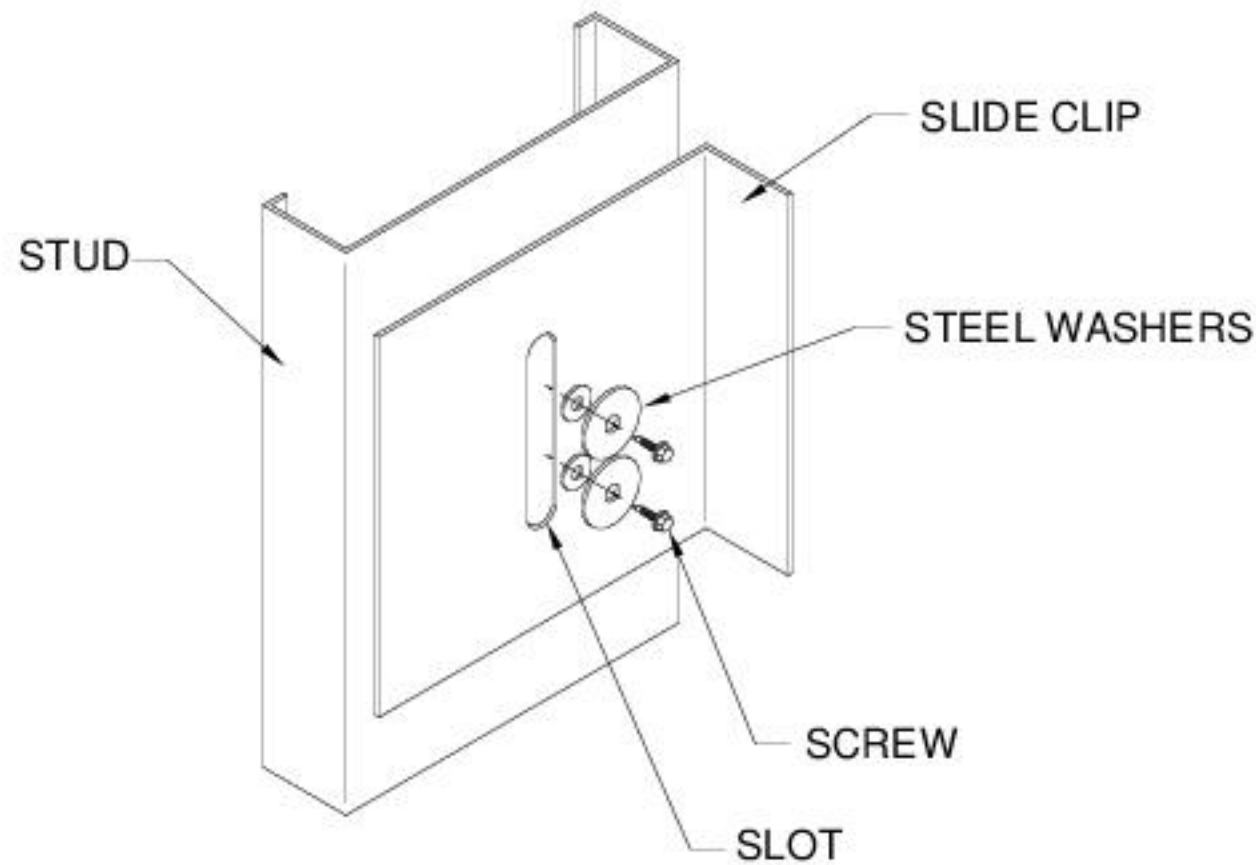


# Full-height Curtain Wall Deflection Clip



## ADVANTAGES:

1. Allows floor/roof to move vertically without imparting any axial load to wall framing.
2. Provides support for out-of-plane wind and seismic loads and for in-plane seismic loads.
3. Accommodates variation of slab edge to maintain wall alignment.

## DISADVANTAGES:

1. Does not accommodate for lateral displacement parallel to wall or horizontal drift between floors/roof.