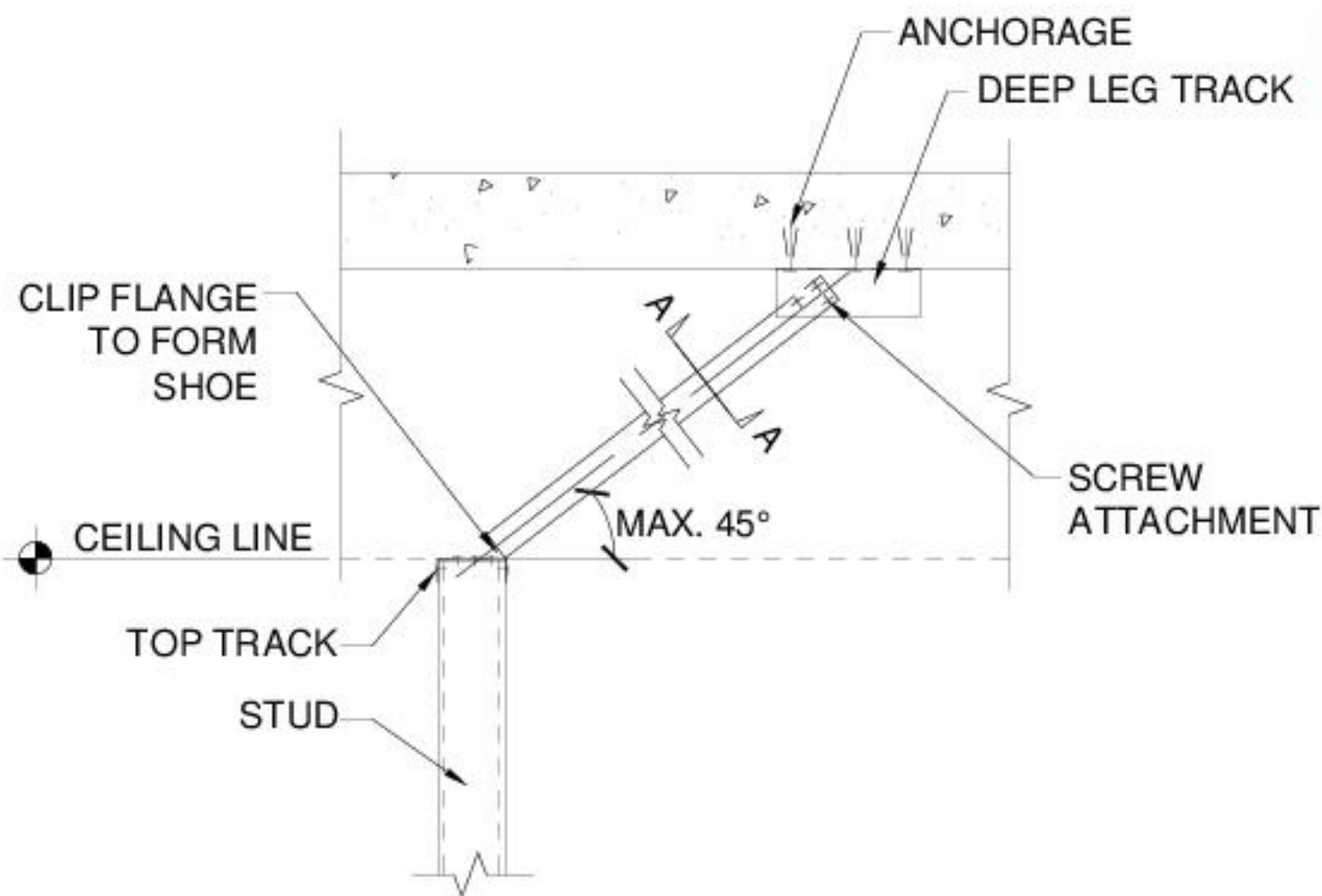


# Non-Load Bearing Interior Wall Framed to Ceiling with Diagonal Kicker

SECTION A-A



## ADVANTAGES:

1. Eliminates extending wall above top of ceiling.

## DISADVANTAGES:

1. Kicker places a twisting load on wall to track.
2. Requires the kicker to be sized to take both compression and tension loads unless alternately kickers are used.