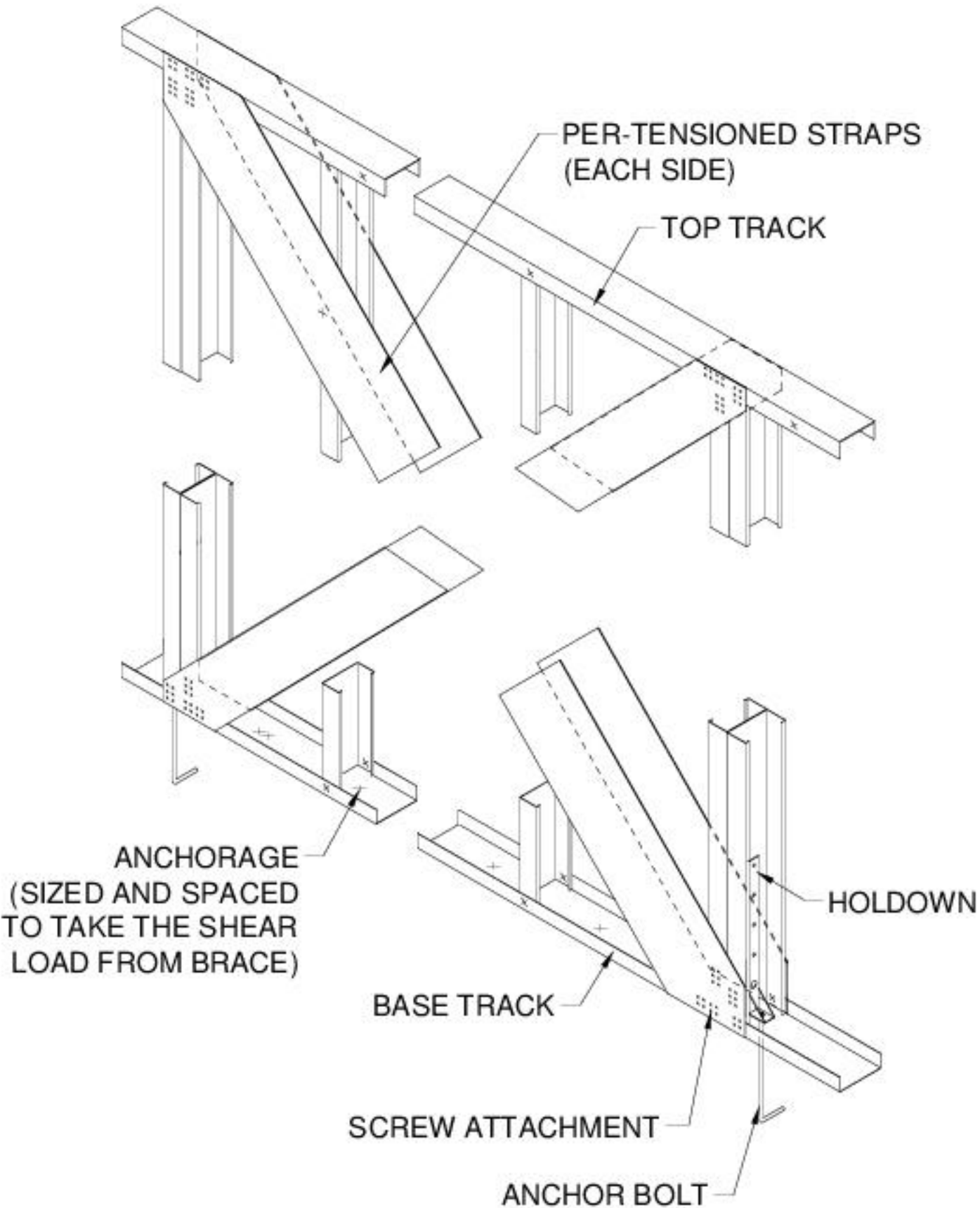


Shearwall X-Bracing



ADVANTAGES:

1. Wide flat straps eliminate doubling the number of screws if corner gussets are used.
2. A thin flat strap reduces the material build-up that can create finish problems.

DISADVANTAGES:

1. X-braces thinner than stud or track material at the end connection increases number of screws required.
2. Requires x-brace to be pre-tensioned so lateral load is immediately transferred to the x-brace without movement in the wall before load is transferred.