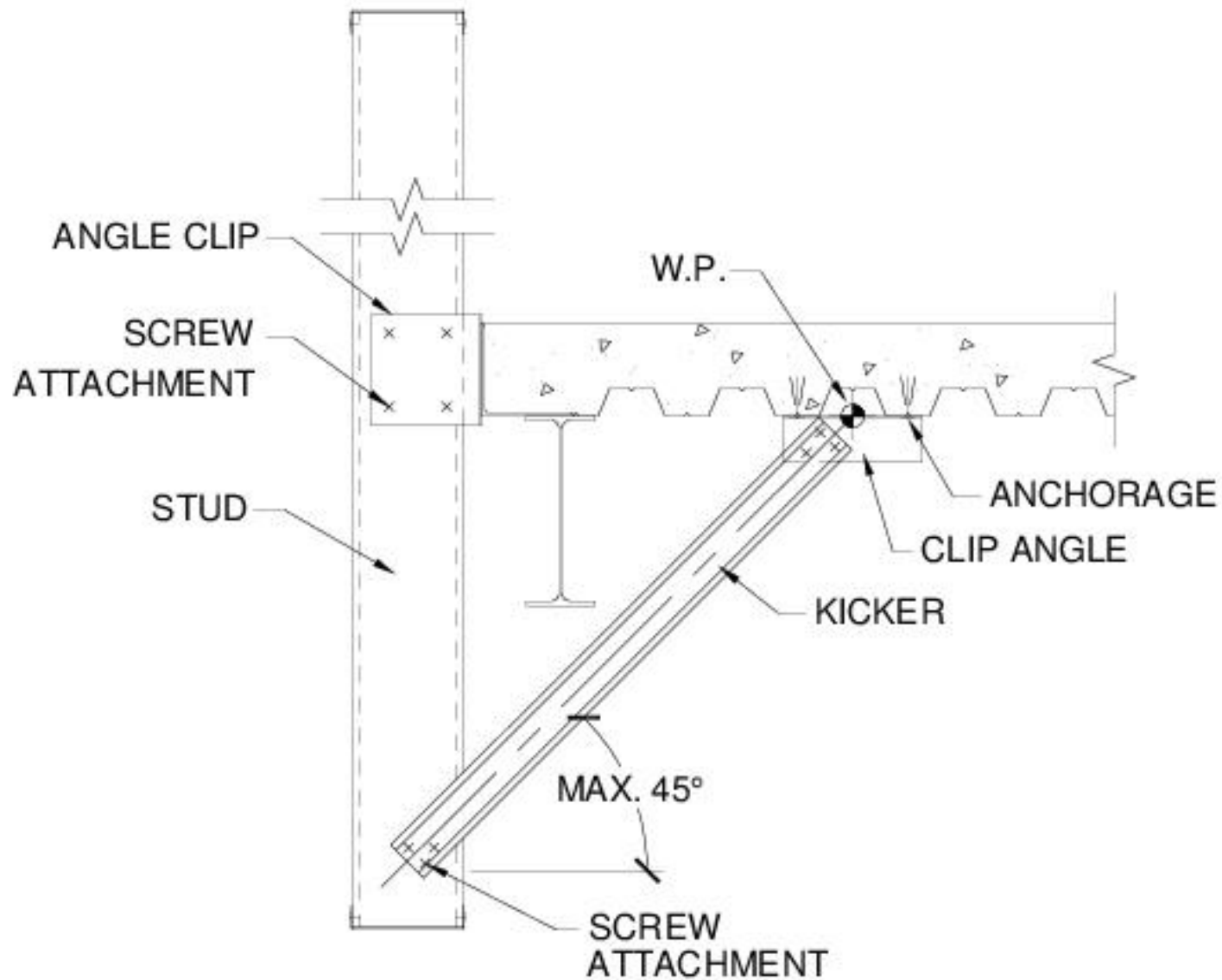


# Spandrel Curtain Wall Diagonal Brace



## ADVANTAGES:

1. Ease of installation.
2. Increases spacing between support points which reduces lateral support reactions and decreases deflections.

## DISADVANTAGES:

1. Requires edge clip support to take vertical load from brace in addition to lateral and dead loads.