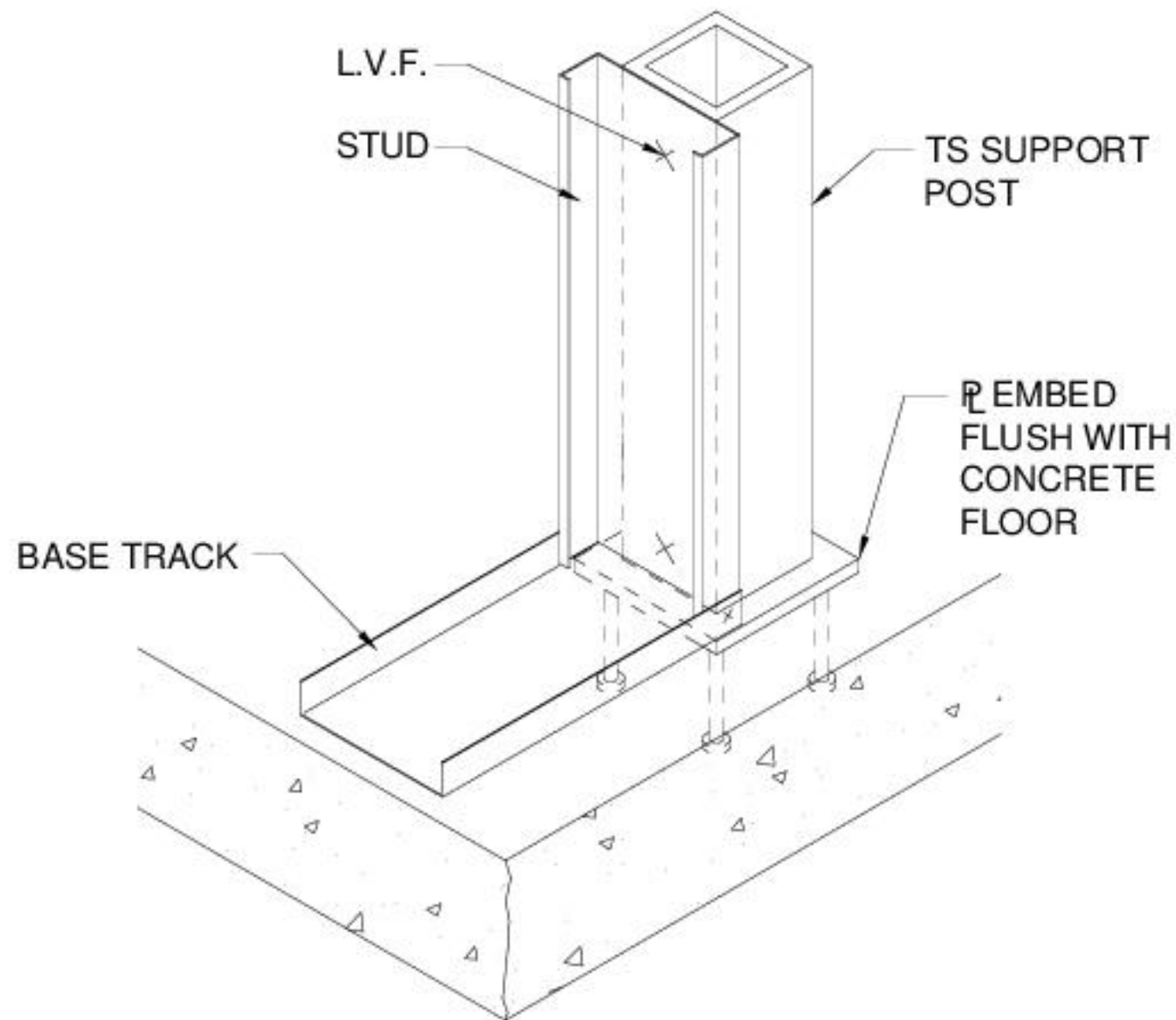


Spandrel Framing At Pony Wall Steel Post with Embed



ADVANTAGES:

1. Provides lateral support for pony wall with spandrel glass.
2. Eliminates costly retrofitting.

DISADVANTAGES:

1. Requires coordination with building structural engineer and installation of embed prior to slab placement.