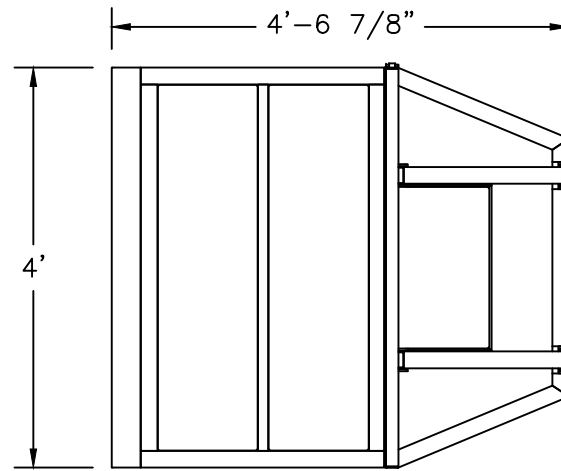
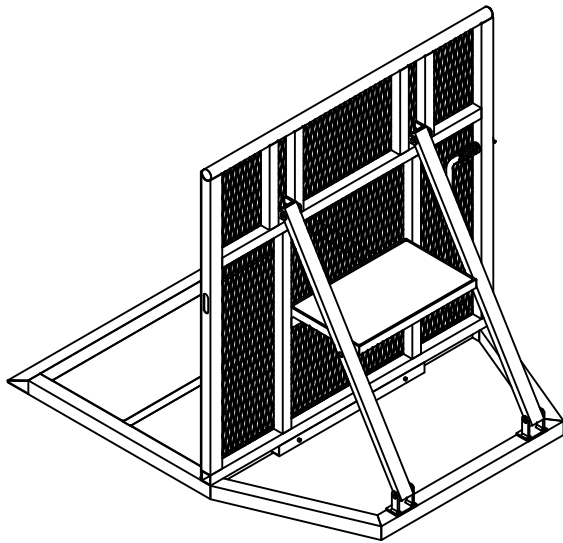


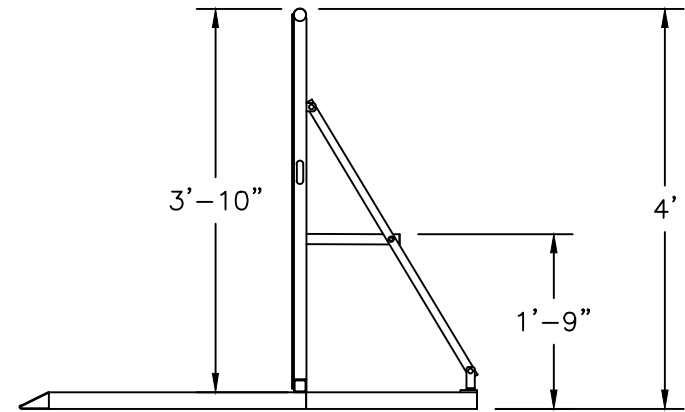
FRONT ISO



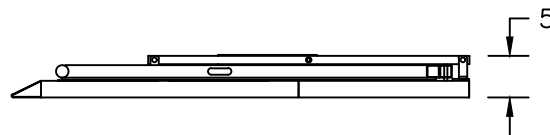
TOP VIEW



REAR ISO

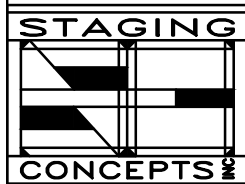


SIDE VIEW



SIDE VIEW (FOLDED)

ITEM	DATE	DESCRIPTION OF CHANGE	AUTH.



CORPORATE OFFICE
 7008 Northland Dr. Suite 150
 Brooklyn Park, Minnesota 55428
 PH: (763) 533-2094

MATERIAL

TITLE

BARRICADE ASSEMBLY

THIS DRAWING IS THE PROPERTY OF STAGING CONCEPTS, INC AND IS FURNISHED ON A CONFIDENTIAL BASIS. NEITHER THE DRAWING NOR ITEMS THEREON ARE TO BE REPRODUCED OR USED IN ANY MANNER NOT AUTHORIZED BY STAGING CONCEPTS AND IS LOANED SUBJECT TO RETURN ON DEMAND

DR. BY _____ DATE _____

SCALE

UNSPECIFIED TOLERANCES ARE TO BE
 LINEAR ANGULAR

PROJECT

PRODUCT

NUMBER