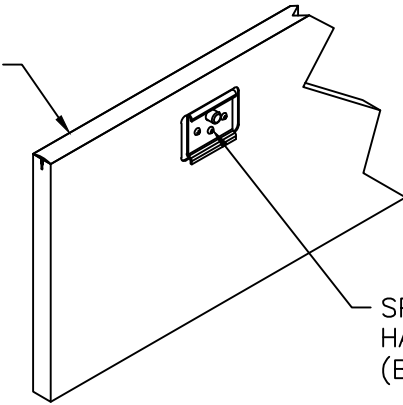
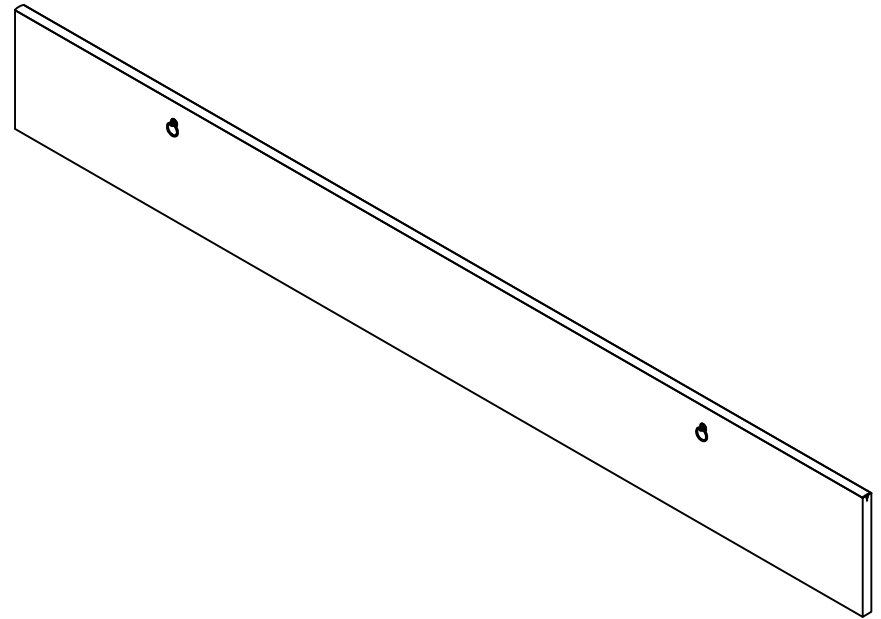


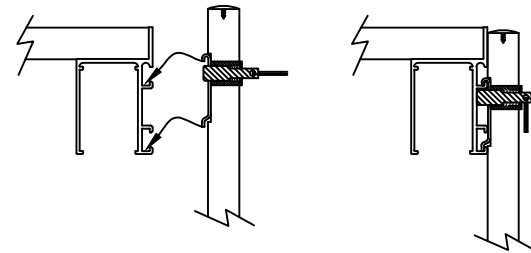
1" POLYETHYLENE  
T-MOULDING



SPRING PIN  
HANGER CLIP  
(BACKSIDE)

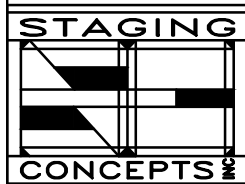


FRONT VIEW



ATTACHMENT DETAIL

ITEM	DATE	DESCRIPTION OF CHANGE	AUTH.



**CORPORATE OFFICE**  
7008 Northland Dr. Suite 150  
Brooklyn Park, Minnesota 55428  
PH: (763) 533-2094

MATERIAL

TITLE

**CLOSURE PANEL  
ASSEMBLY**

THIS DRAWING IS THE PROPERTY OF STAGING CONCEPTS, INC AND IS FURNISHED ON A CONFIDENTIAL BASIS. NEITHER THE DRAWING NOR ITEMS THEREON ARE TO BE REPRODUCED OR USED IN ANY MANNER NOT AUTHORIZED BY STAGING CONCEPTS AND IS LOANED SUBJECT TO RETURN ON DEMAND

DR. BY  
SCALE

UNSPECIFIED TOLERANCES ARE TO BE  
LINEAR      ANGULAR

PROJECT

PRODUCT

NUMBER