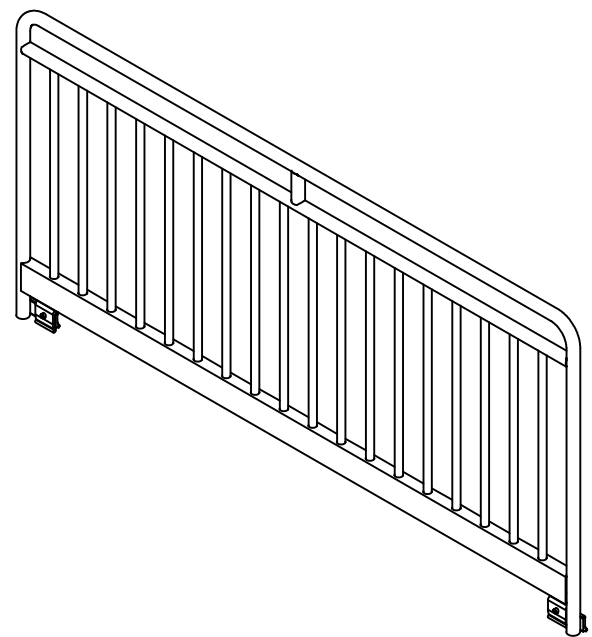


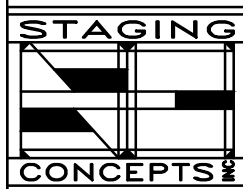
3 7/8"  
TYP. GAP

ATTACHMENT ASSEMBLY

FRONT VIEW



ATTACHMENT DETAIL



**CORPORATE OFFICE**  
7008 Northland Dr. Suite 150  
Brooklyn Park, Minnesota 55428  
PH: (763) 533-2094

MATERIAL

TITLE

**IBC  
GUARDRAIL ASSEMBLY**

THIS DRAWING IS THE PROPERTY OF STAGING CONCEPTS, INC AND IS FURNISHED ON A CONFIDENTIAL BASIS. NEITHER THE DRAWING NOR ITEMS THEREON ARE TO BE REPRODUCED OR USED IN ANY MANNER NOT AUTHORIZED BY STAGING CONCEPTS AND IS LOANED SUBJECT TO RETURN ON DEMAND

DR. BY	DATE
SCALE	
UNSPECIFIED TOLERANCES ARE TO BE	
LINEAR	ANGULAR

PROJECT
PRODUCT
NUMBER

ITEM	DATE	DESCRIPTION OF CHANGE	AUTH.