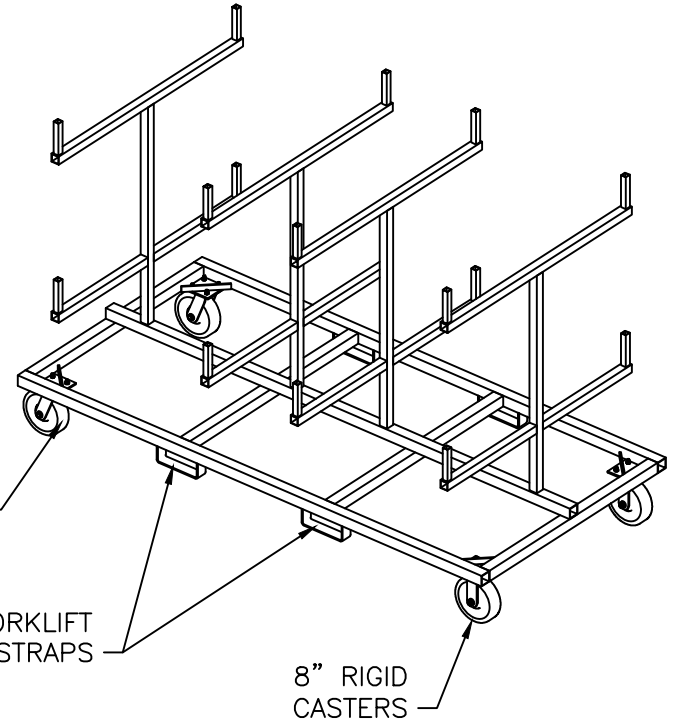


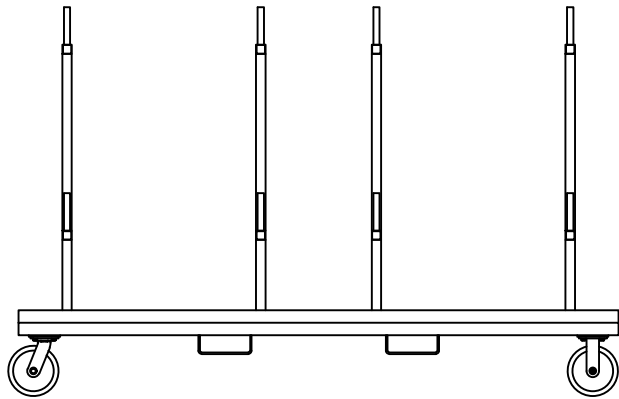
TOP VIEW



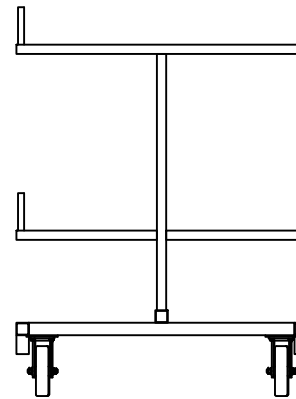
8" SWIVEL
CASTERS

OPTIONAL FORKLIFT
STRAPS

8" RIGID
CASTERS

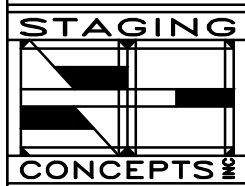


SIDE VIEW



END VIEW

| ITEM | DATE | DESCRIPTION OF CHANGE | AUTH. |
|------|------|-----------------------|-------|
|------|------|-----------------------|-------|



CORPORATE OFFICE
7008 Northland Dr. Suite 150
Brooklyn Park, Minnesota 55428
PH: (763) 533-2094

MATERIAL

TITLE
**SC100
STORAGE
CART**

THIS DRAWING IS THE PROPERTY OF STAGING CONCEPTS, INC AND IS FURNISHED ON A CONFIDENTIAL BASIS. NEITHER THE DRAWING NOR ITEMS THEREON ARE TO BE REPRODUCED OR USED IN ANY MANNER NOT AUTHORIZED BY STAGING CONCEPTS AND IS LOANED SUBJECT TO RETURN ON DEMAND

DR. BY
SCALE
UNSPECIFIED TOLERANCES ARE TO BE
LINEAR ANGULAR

PROJECT
PRODUCT
NUMBER