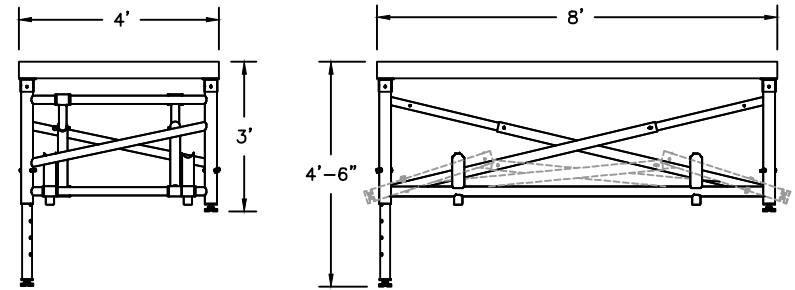
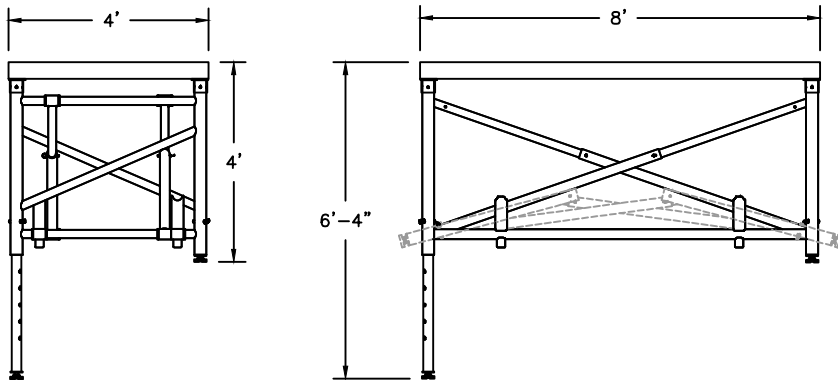


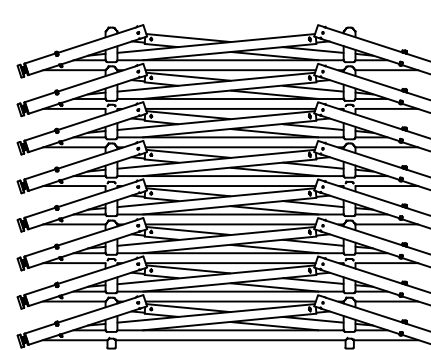
24"-36" ADJUSTABLE SC9600



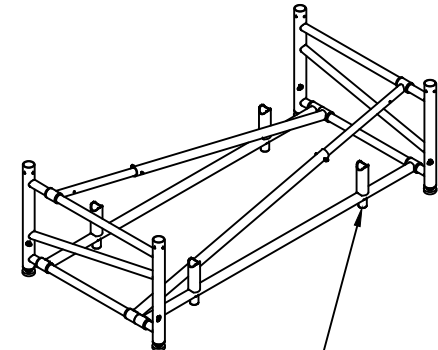
36"-54" ADJUSTABLE SC9600



48"-76" ADJUSTABLE SC9600

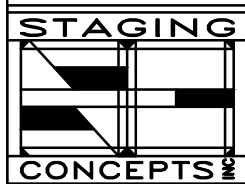


FOLDED & STACKED



STACKING PIN  
& SLEEVE

ITEM	DATE	DESCRIPTION OF CHANGE	AUTH.



**CORPORATE OFFICE**  
 7008 Northland Dr. Suite 150  
 Brooklyn Park, Minnesota 55428  
 PH: (763) 533-2094

MATERIAL

TITLE

**FOLDING  
 SC9600 UNDERSTRUCTURE**

THIS DRAWING IS THE PROPERTY OF STAGING CONCEPTS, INC AND IS FURNISHED ON A CONFIDENTIAL BASIS. NEITHER THE DRAWING NOR ITEMS THEREON ARE TO BE REPRODUCED OR USED IN ANY MANNER NOT AUTHORIZED BY STAGING CONCEPTS AND IS LOANED SUBJECT TO RETURN ON DEMAND

DR. BY \_\_\_\_\_ DATE \_\_\_\_\_

SCALE

UNSPECIFIED TOLERANCES ARE TO BE  
 LINEAR                      ANGULAR

PROJECT \_\_\_\_\_

PRODUCT \_\_\_\_\_

NUMBER \_\_\_\_\_