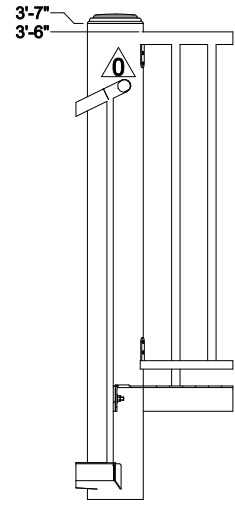
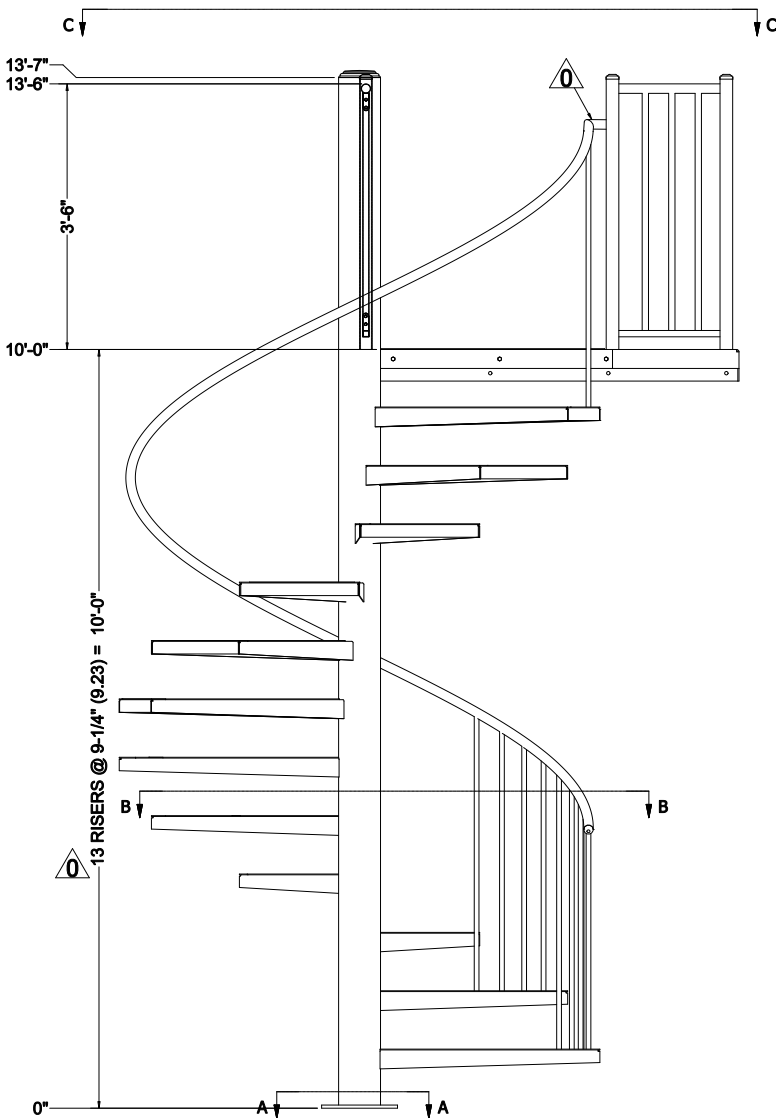


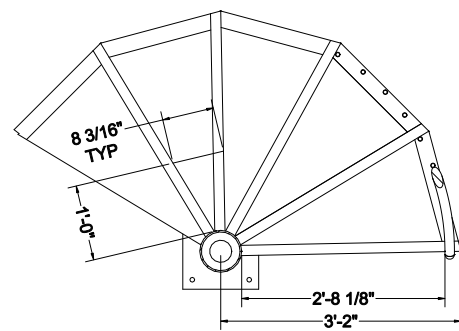
VIEW C-C
SCALE 3/32



DETAIL D
SCALE 1/8

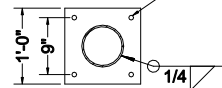


13 RISERS @ 9-1/4" (9.23) = 10'-0"



SECTION B-B
SCALE 3/32

11/16" Ø w/ 5/8" HILTI KB TZ
w/ 4" EMBEDMENT
(BY OTHERS) (6" MIN CONCRETE)
CONCRETE CONFIRMED



SECTION A-A
SCALE 3/32