

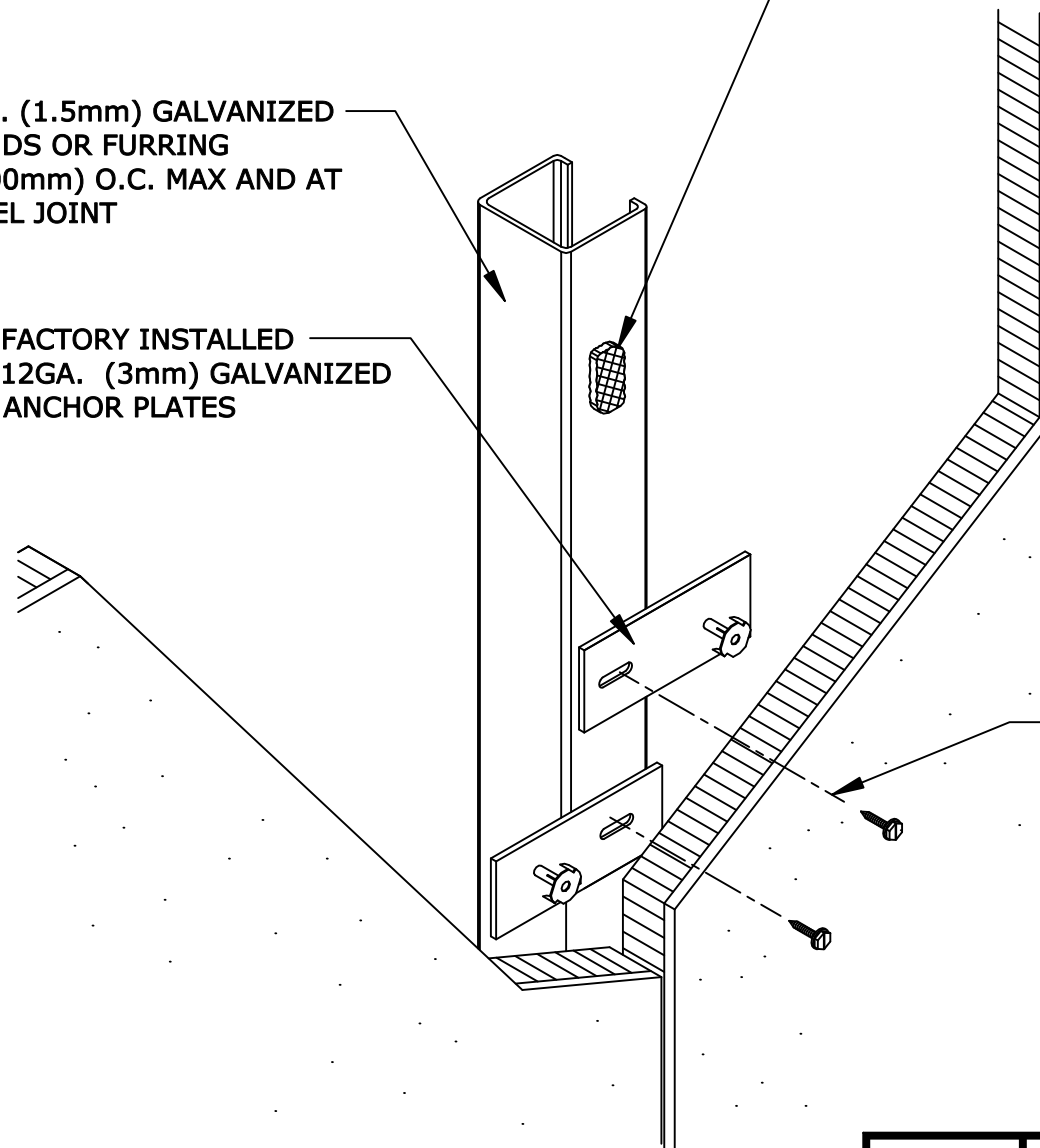
MIN. 16GA. (1.5mm) GALVANIZED
STEEL STUDS OR FURRING
AT 16" (400mm) O.C. MAX AND AT
EACH PANEL JOINT

FACTORY INSTALLED
12GA. (3mm) GALVANIZED
ANCHOR PLATES

STRUCTURAL SILICONE
ATTACH BETWEEN
ANCHOR PLATES

StoneLite[®] PANEL "CUT-AWAY"
TO SHOW CLARITY OF
PANEL ATTACHMENT.
ATTACH TO STUD FRAME
BETWEEN JOINTS W/
STRUCTURAL SILICONE.

NO. 10 (5mm) TEK SCREW
ATTACH THRU SLOTTED
HOLE ATTACHING PANEL
TO STEEL STUDS



SP-13

ANCHOR PLATE ATTACHMENT

Stonepanels[®]
Inc.

100 S. Royal Lane
Coppell, TX 75019
469.635.5000
www.stonepanels.com

2-03-2009

Global Supplier of StoneLite[®] Marble, Granite & Limestone Panels