

1 1/8" (29mm)  
 15/16" (24mm) ± 1/16" (1.5mm)  
 VARIES, 1/8" TO 1/4" (3mm - 6mm) DEPENDING UPON STONE THICKNESS

STRUCTURAL SILICONE

STEEL STUD FRAMING  
 16GA. (1.5mm) (MIN.)  
 SPACED 16" O.C. (400mm) MAX.  
 (A STUD IS REQUIRED AT ALL VERTICAL PANEL JOINTS)

DOUBLE STICK CELLULAR FOAM TAPE TEMPORARILY HOLDS PANEL IN PLACE. THICKNESS VARIES DEPENDING UPON STONE THICKNESS. (THIS TAPE IS OPTIONAL).

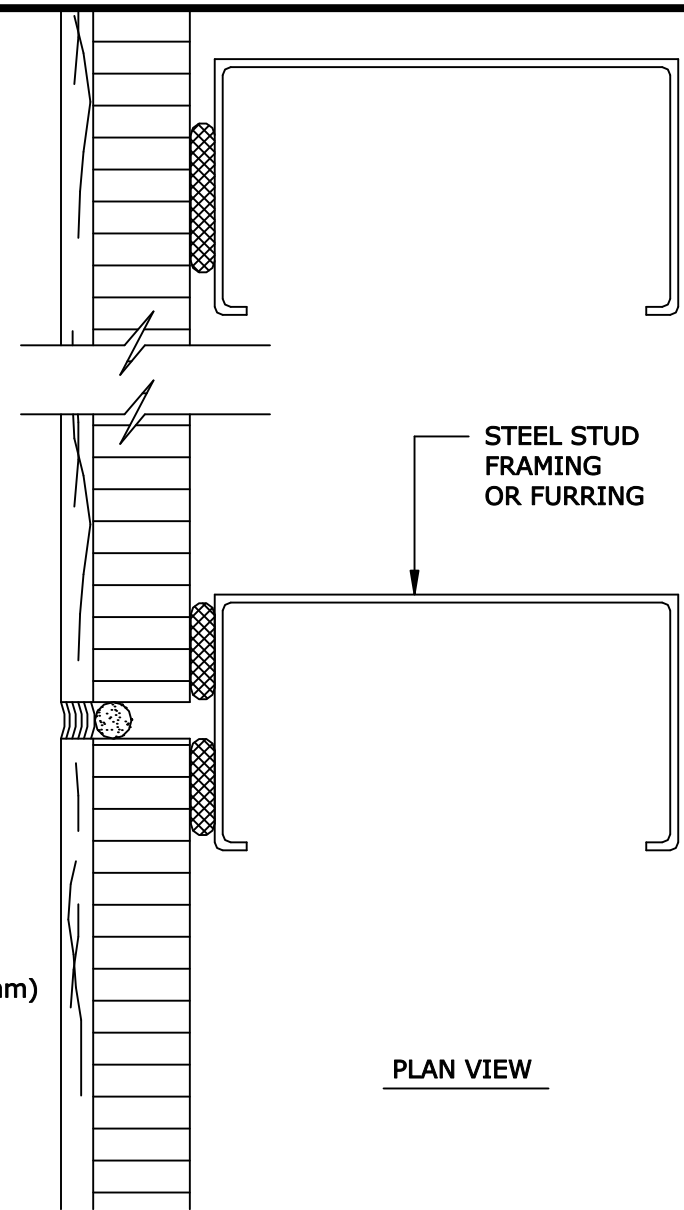
1 1/4" x 3/4" x 22GA. (32mm x 19mm x .75mm) CONTINUOUS ANGLE (LLV) SCREW ATTACH TO EACH STUD WITH TEK SCREWS. (OPTIONALLY SUPPLIED BY OTHERS.)

SHIM (IF REQ'D.)

JOINT TREATMENT

StoneLite®  
 PANEL

SECTION VIEW



STEEL STUD FRAMING OR FURRING

PLAN VIEW

SP-17

INTERIOR STRUCTURAL SILICONE ATTACHMENT  
 OVER STEEL STUD FRAMING / FURRING

Stonepanels<sup>®</sup>  
 Inc.

100 S. Royal Lane  
 Coppell, TX 75019  
 469.635.5000  
 www.stonepanels.com

Global Supplier of StoneLite® Marble, Granite & Limestone Panels

2-03-2009