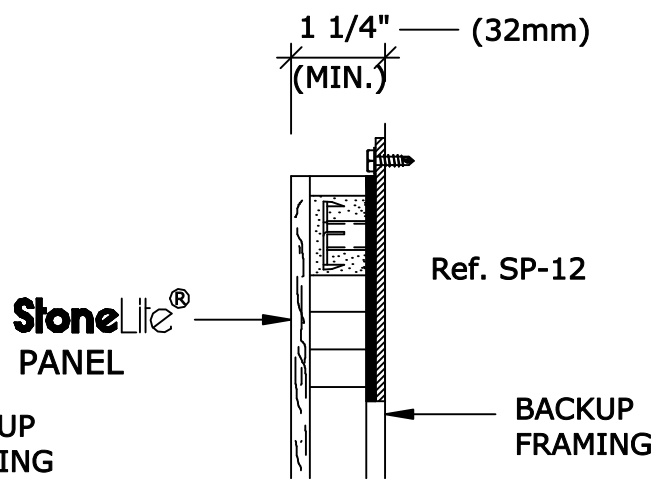


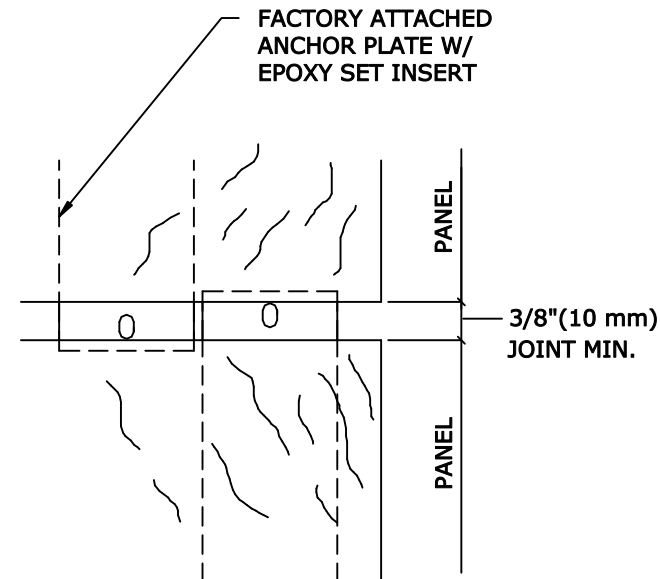
**WIDE INTERLOCKING CHANNEL SYSTEM**

Interior or Exterior Application

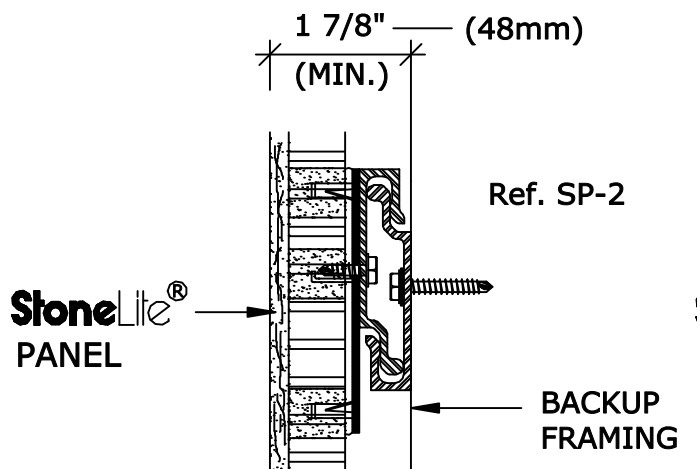


**ANCHOR PLATE SYSTEM**

Interior or Exterior Application

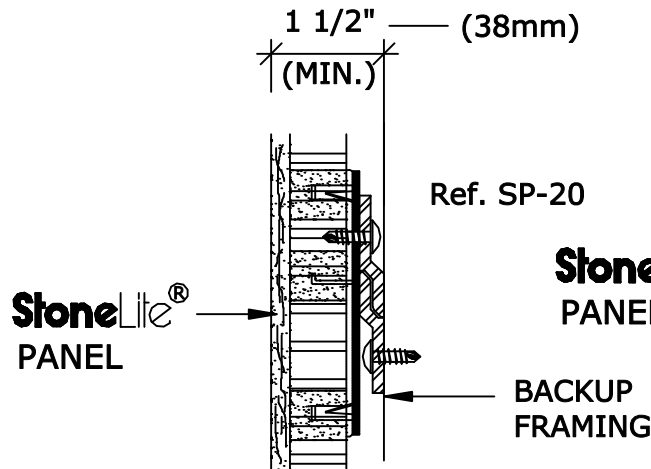


**ANCHOR PLATE ELEVATION**



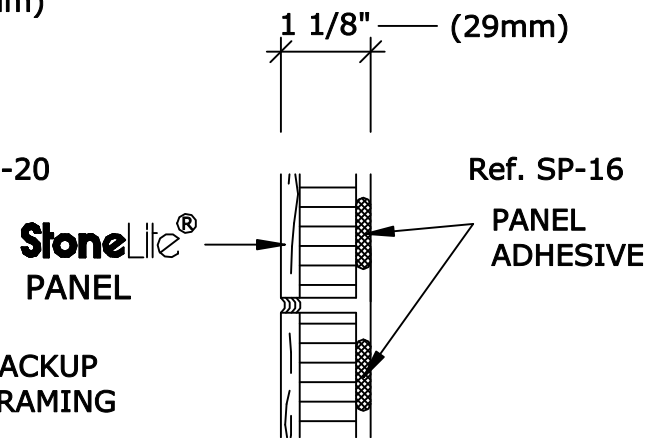
**NARROW INTERLOCKING CHANNEL SYSTEM**

Interior or Exterior Application



**Z-CLIP ATTACHMENT SYSTEM**

Elevator Cab Application



**ADHESIVE ATTACHMENT SYSTEM**

Interior Application

**NOTE:** DIMENSIONS SHOWN ARE  
FOR 3/16" (5mm) STONE ON 3/4" (19mm) HONEYCOMB

2-03-2009

SP-42

ATTACHMENT DETAILS

**Stonepanels** Inc.

100 S. Royal Lane  
Coppell, TX 75019  
469.635.5000  
www.stonepanels.com

Global Supplier of StoneLite® Marble, Granite & Limestone Panels