

(60mm) → 2 3/8" MIN. SHIM AS REQ'D.

FIELD APPLY
SMALL BEAD OF
SEALANT PRIOR TO
SETTING UPPER PANEL

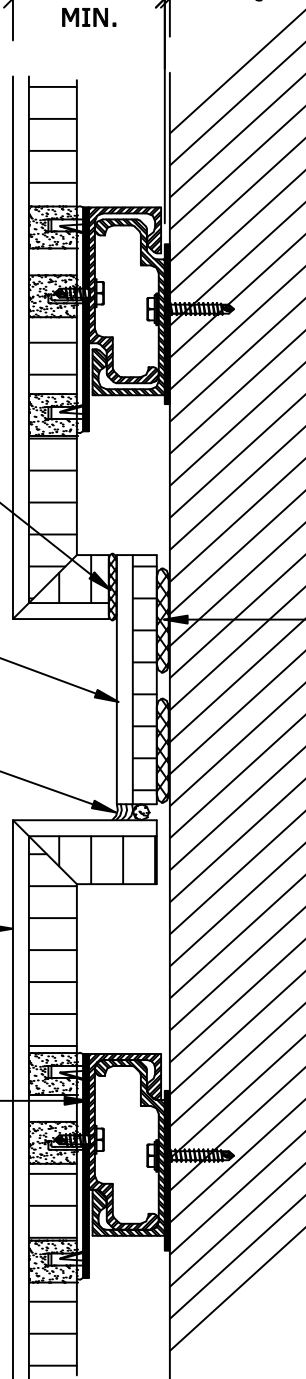
FIELD SET REVEAL PANEL
AFTER LOWER PANEL IS
INSTALLED.

SEALANT AND
BACKER ROD
(BY OTHERS)

StoneLite® PANEL

INTERLOCKING
CHANNEL ATTACHMENT
SYSTEM
REF. SP-1

PANEL ADHESIVE
ATTACH



SP-5

HORIZONTAL REVEAL SECTION

Stonepanels[®]
Inc.

100 S. Royal Lane
Coppell, TX 75019
469.635.5000
www.stonepanels.com

Global Supplier of StoneLite® Marble, Granite & Limestone Panels

2-03-2009