

-Customer Cut Sheet-

Notes:

SMOKE VENT QTY:

LENS TYPE:

APPROVALS:

FUSIBLE LINK DEGREE RATING:

SAFETY/SECURITY GUARD QTY:

CURB QTY:

BURGLAR BAR QTY:

©2020 Acuity Brands Lighting, Inc.
 The information contained in these materials is proprietary, and may not be used, reproduced or distributed without the express written permission of Acuity Brands Lighting, Inc.

ABL Agent:

Customer Name:

Item Nomenclature:

Title:

MODEL 870B SMOKE VENT

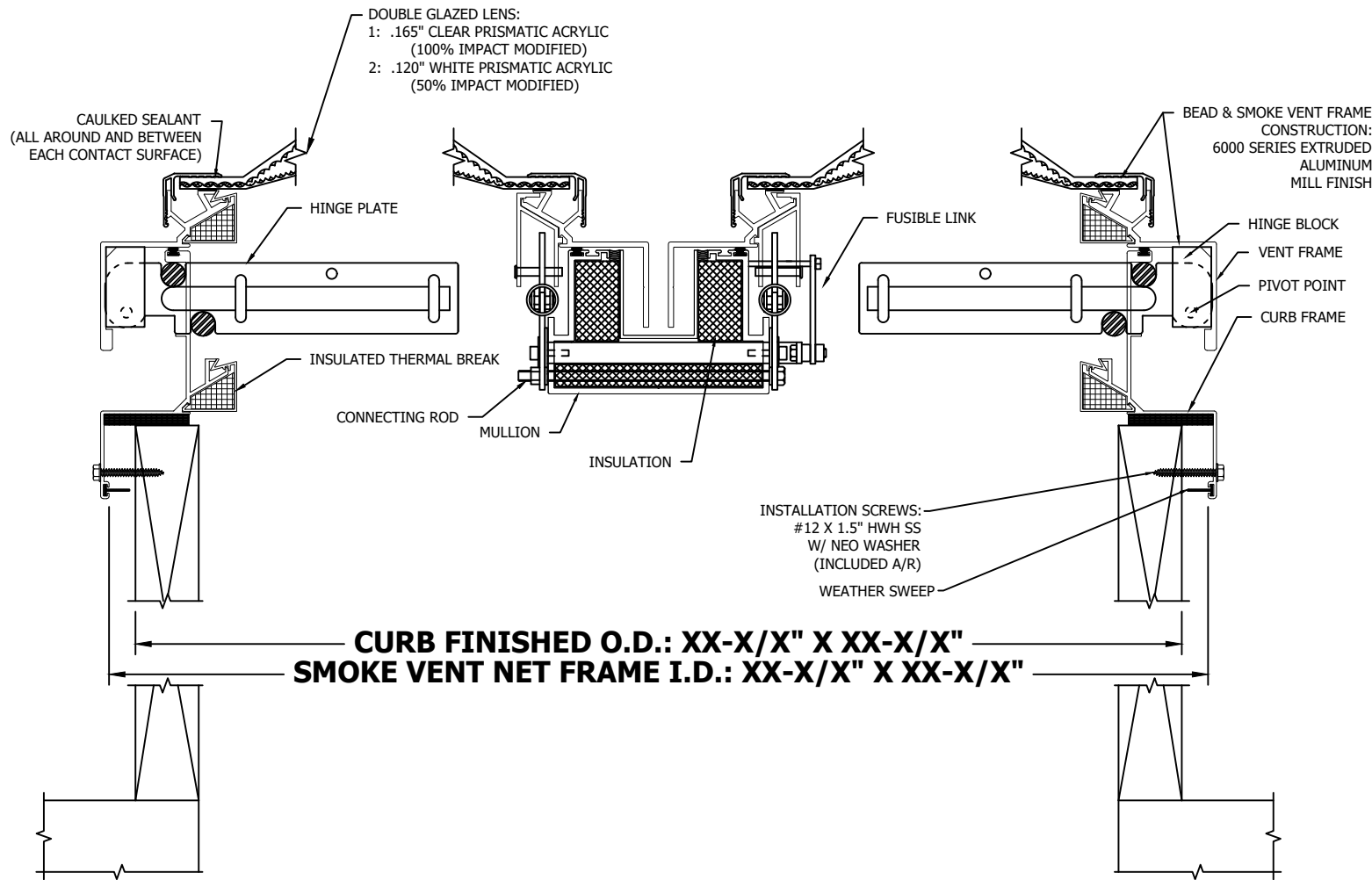
30LB LIFT

Drawn By: _____ Sheet Size: **A**

Drawn Date: _____ Sheet: _____

Scale: **1/4:1** **1/2**

Cut Sheet Number: _____



CURB FINISHED O.D.: XX-X/X\" X XX-X/X\"
SMOKE VENT NET FRAME I.D.: XX-X/X\" X XX-X/X\"

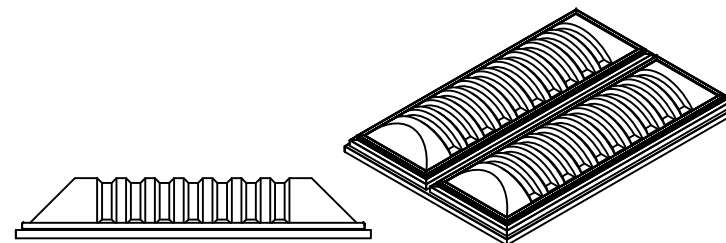
CURB NOT PROVIDED BY SUNOPTICS

FALL PROTECTION TO BE SUPPLIED BY OTHERS

REFER TO INSTALLATION INSTRUCTIONS FOR CLEARANCE REQUIREMENTS.

NOTE: INSTALLING CONTRACTOR TO INSURE (E) CURB(S) ARE OF PROPER DIMENSIONS AND OF SOUND CONSTRUCTION PRIOR TO SMOKE VENT INSTALLATION.

BY APPROVING THIS DOCUMENT IT IS UNDERSTOOD THAT THE INFORMATION SHOWN IS ACCURATE TO PROCEED



SIGNATURE PROFILE (EXAMPLE ONLY)

APPROVED BY: SIGN: _____ / PRINT: _____ **DATE:** _____
 *TO AVOID DELAYS, RETURN APPROVED CUT SHEET TO SunopticsCustomerCare@AcuityBrands.com TO FACILITATE ORDER PLACEMENT.

6201 27th Street
 Sacramento, California, USA 95822
 (916) 395-4700 Telephone
 (800) 289-4700 Toll Free
 (916) 395-9204 Fax

-Customer Cut Sheet-

Notes:

SMOKE VENT QTY:

LENS TYPE:

APPROVALS:

FUSIBLE LINK DEGREE RATING:

SAFETY/SECURITY GUARD QTY:

CURB QTY:

BURGLAR BAR QTY:

©2020 Acuity Brands Lighting, Inc.
 The information contained in these materials is proprietary, and may not be used, reproduced or distributed without the express written permission of Acuity Brands Lighting, Inc.

ABL Agent:

Customer Name:

Item Nomenclature:

Title:

MODEL 870B SMOKE VENT

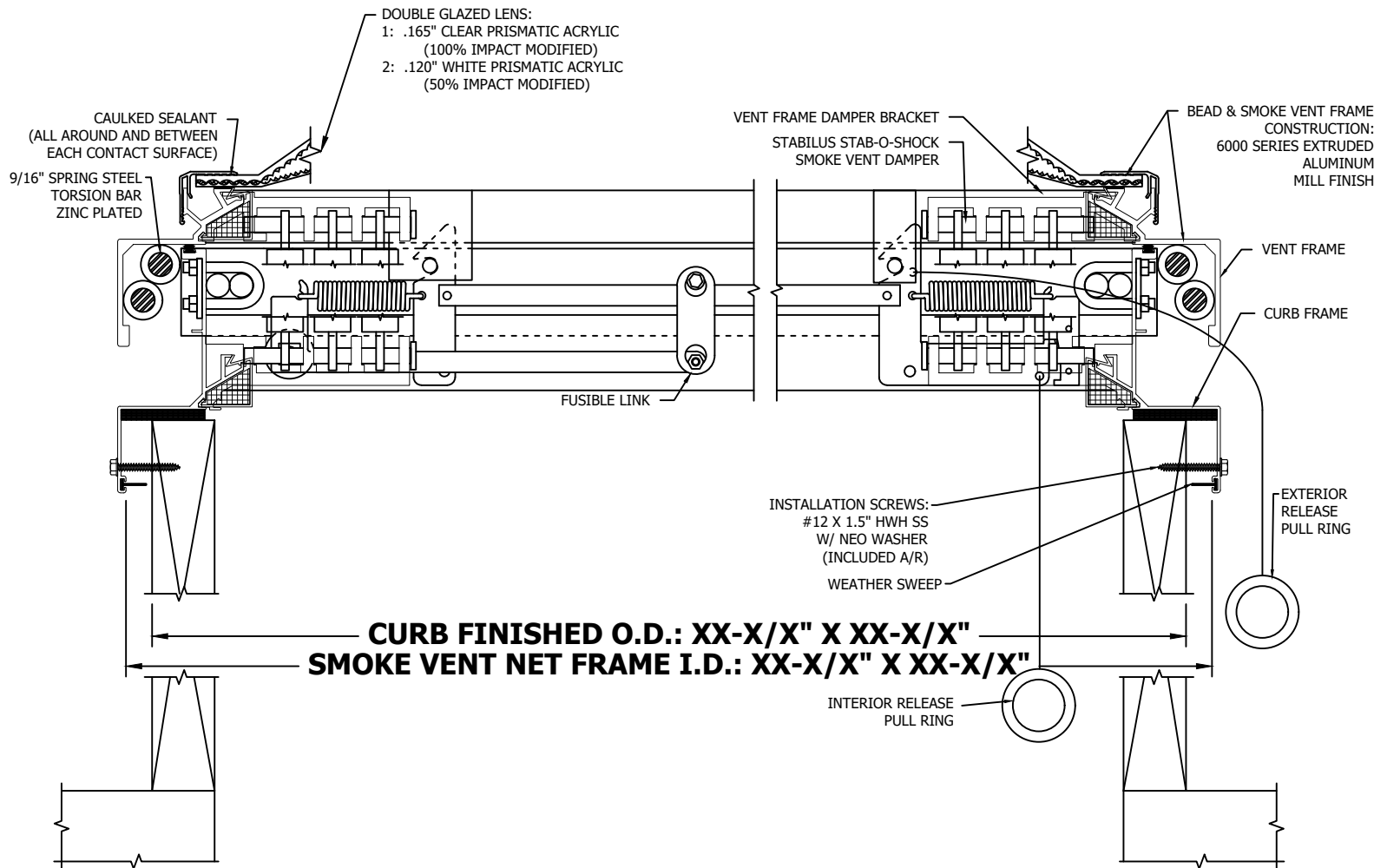
30LB LIFT

Drawn By: _____ Sheet Size: **A**

Drawn Date: _____ Sheet: _____

Scale: **1/4:1** **2/2**

Cut Sheet Number: _____



CURB FINISHED O.D.: XX-X/X" X XX-X/X"
SMOKE VENT NET FRAME I.D.: XX-X/X" X XX-X/X"

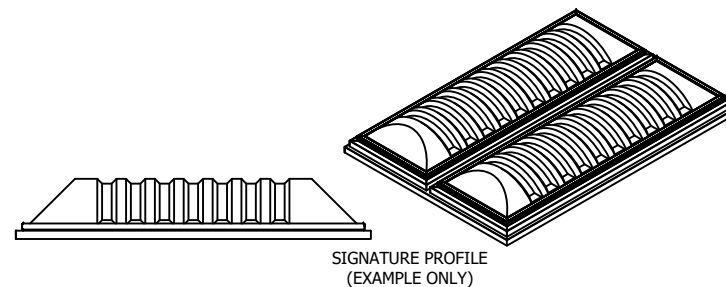
CURB NOT PROVIDED BY SUNOPTICS

FALL PROTECTION TO BE SUPPLIED BY OTHERS

REFER TO INSTALLATION INSTRUCTIONS FOR CLEARANCE REQUIREMENTS.

NOTE:
 INSTALLING CONTRACTOR TO INSURE (E) CURB(S) ARE OF PROPER DIMENSIONS AND OF SOUND CONSTRUCTION PRIOR TO SMOKE VENT INSTALLATION.

BY APPROVING THIS DOCUMENT IT IS UNDERSTOOD THAT THE INFORMATION SHOWN IS ACCURATE TO PROCEED



SIGNATURE PROFILE (EXAMPLE ONLY)

APPROVED BY: SIGN: _____ / PRINT: _____ **DATE:** _____
 *TO AVOID DELAYS, RETURN APPROVED CUT SHEET TO SunopticsCustomerCare@AcuityBrands.com TO FACILITATE ORDER PLACEMENT.