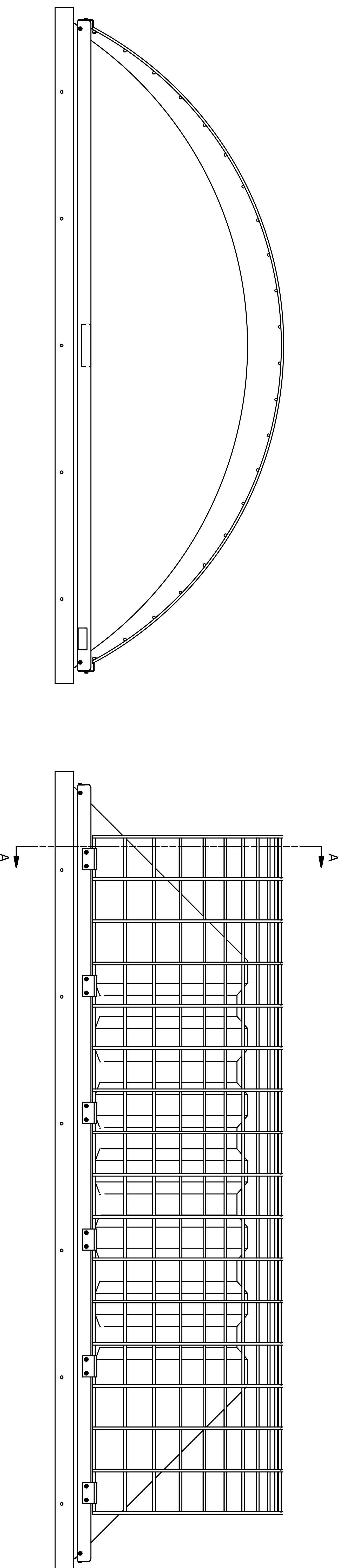


SECTION A-A  
SCALE 0.2 : 1



**PROPRIETARY AND CONFIDENTIAL**  
THIS DRAWING IS THE SOLE PROPERTY OF SUNOPTICS, INC. AND IS NOT TO BE REPRODUCED OR TRANSMITTED IN ANY FORM OR BY ANY MEANS, ELECTRONIC OR MECHANICAL, WITHOUT THE WRITTEN PERMISSION OF SUNOPTICS, INC. IS FORBIDDEN.

UNLESS OTHERWISE SPECIFIED  
DIMENSIONS ARE IN INCHES  
TOLERANCES:  
FRACTIONS DECIMALS ANGLES  
XX .XX .01 15°  
XX .XX .005 12.5°  
SURFACE ROUGHNESS:  
BREAK SHARP EDGES .01 MAX  
FINISH WITH LATEST ANSI B46.1  
PINK & TOL. IN ACCORDANCE  
WITH LATEST ASST. V.3.5

MATERIAL		DRAWN	DATE
5060 External Guard Assembly		SEM02	5/16/2016
FINISH		CHECKED	
 		QA	
APPROVED		MFG	

 HIGH PERFORMANCE PNEUMATIC CYLINDERS 4001 27th STREET SACRAMENTO, CA 95822 TEL: (916) 298-4100 FAX: (916) 299-9284		REV	DATE
TITLE		5060 External Guard Assembly	
SIZE	DWG NO	REV	
D	5060 External Guard Assembly		
SCALE			