

-Customer Cut Sheet-

Notes:

SKYLIGHT QTY:

LENS TYPE:

APPROVALS:

LOUVER QTY:

SAFETY/SECURITY GUARD QTY:

CURB QTY:

BURGLAR BAR QTY:

©2020 Acuity Brands Lighting, Inc.
 The information contained in these materials is proprietary, and may not be used, reproduced or distributed without the express written permission of Acuity Brands Lighting, Inc.

ABL Agent:

Customer Name:

Item Nomenclature:

Title:

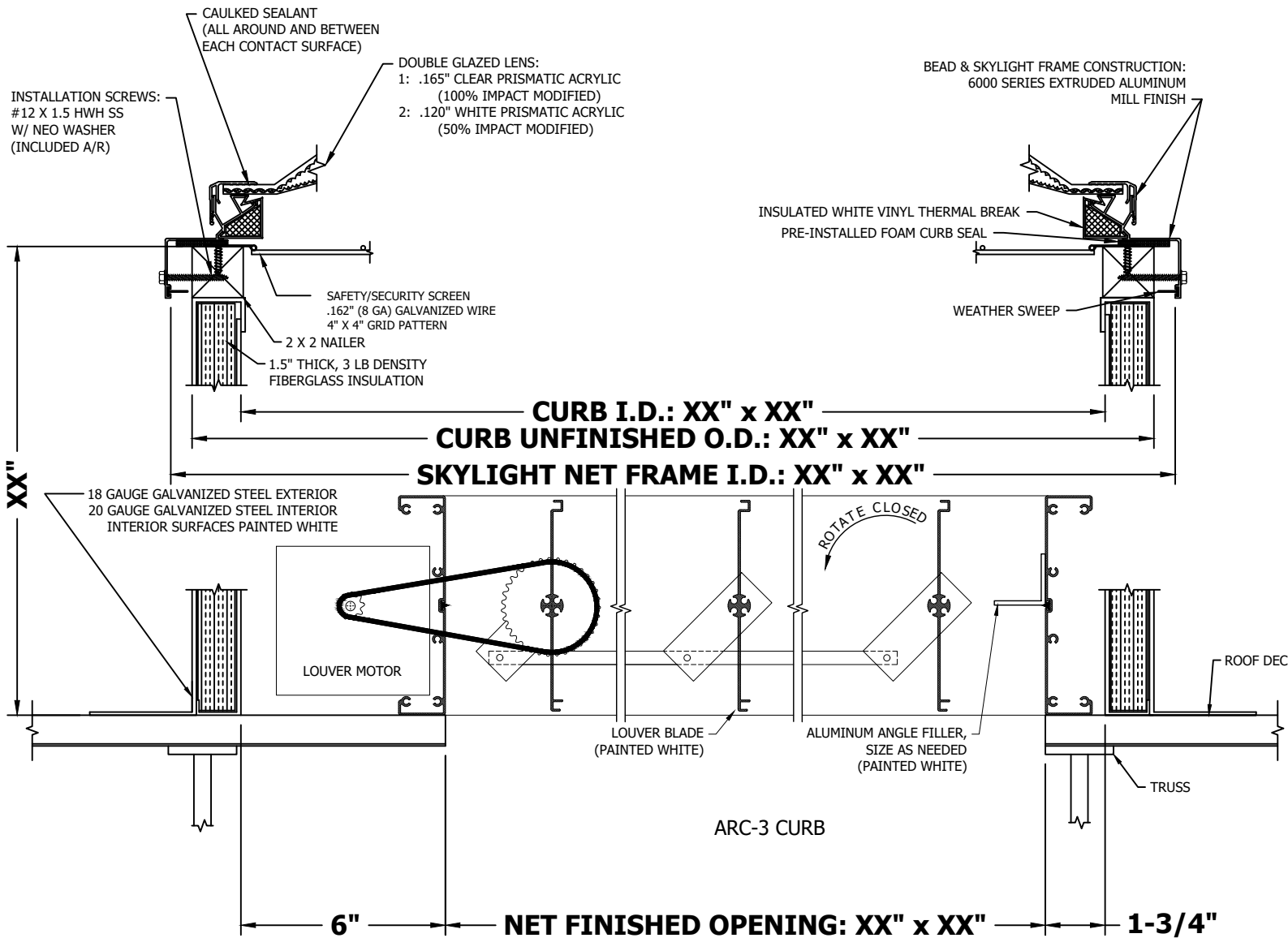
800MD SKYLIGHT
EXTERIOR MOTOR LOUVER

Drawn By: _____ Sheet Size: **A**

Drawn Date: _____ Sheet: _____

Scale: **7/32:1** **1/3**

Cut Sheet Number: _____



BY APPROVING THIS DOCUMENT IT IS UNDERSTOOD THAT THE INFORMATION SHOWN IS ACCURATE TO PROCEED

APPROVED BY: SIGN: _____ / PRINT: _____ **DATE:** _____

*TO AVOID DELAYS, RETURN APPROVED CUT SHEET TO SunopticsCustomerCare@AcuityBrands.com TO FACILITATE ORDER PLACEMENT.

-Customer Cut Sheet-

Notes:

SKYLIGHT QTY:

LENS TYPE:

APPROVALS:

LOUVER QTY:

SAFETY/SECURITY GUARD QTY:

CURB QTY:

BURGLAR BAR QTY:

©2020 Acuity Brands Lighting, Inc.
 The information contained in these materials is proprietary, and may not be used, reproduced or distributed without the express written permission of Acuity Brands Lighting, Inc.

ABL Agent:

Customer Name:

Item Nomenclature:

Title:

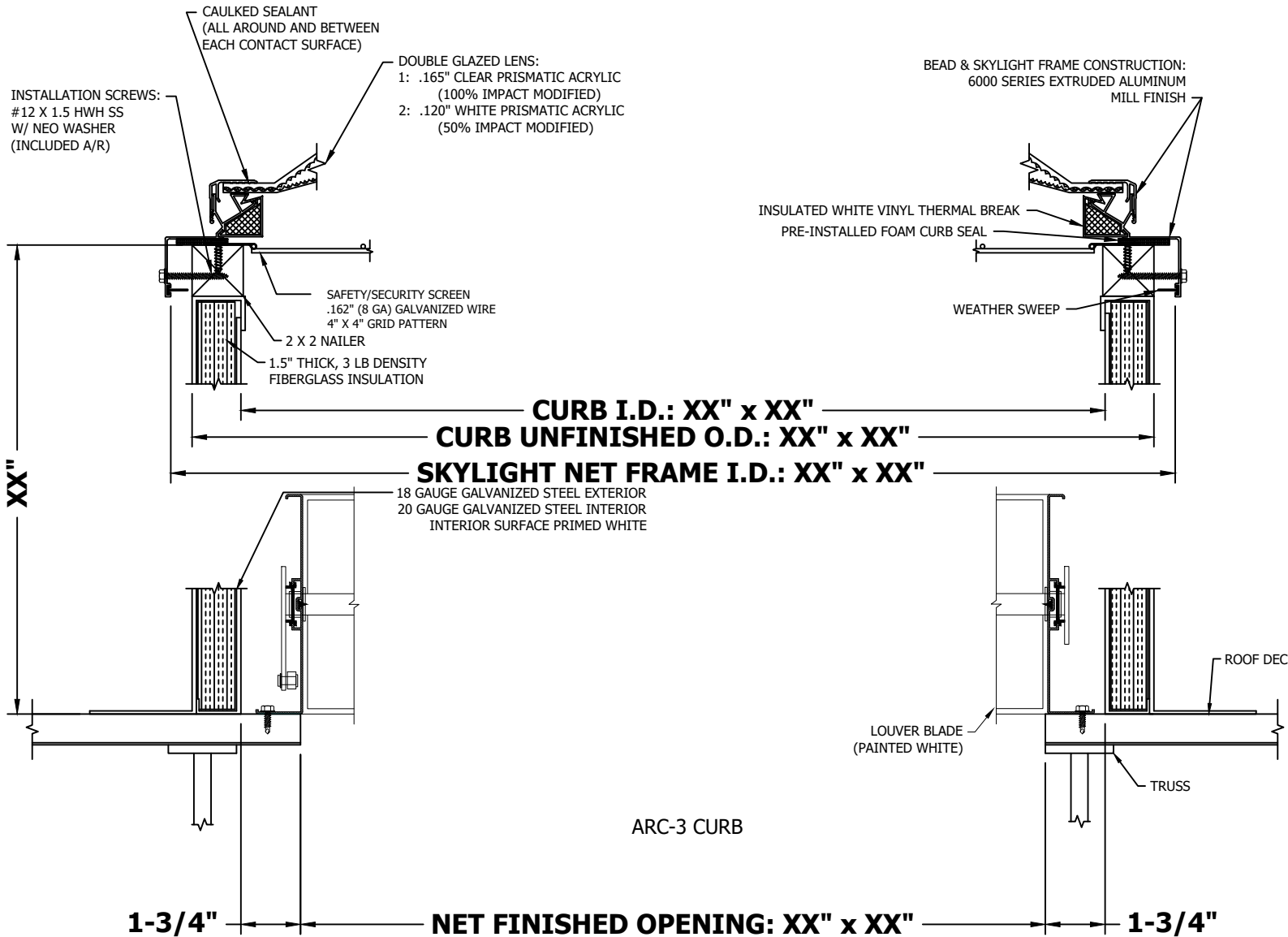
800MD SKYLIGHT
EXTERIOR MOTOR LOUVER

Drawn By: _____ Sheet Size: **A**

Drawn Date: _____ Sheet: _____

Scale: **7/32:1** **2/3**

Cut Sheet Number: _____



BY APPROVING THIS DOCUMENT IT IS UNDERSTOOD THAT THE INFORMATION SHOWN IS ACCURATE TO PROCEED

APPROVED BY: SIGN: _____ / PRINT: _____ **DATE:** _____

*TO AVOID DELAYS, RETURN APPROVED CUT SHEET TO SunopticsCustomerCare@AcuityBrands.com TO FACILITATE ORDER PLACEMENT.

-Customer Cut Sheet-

Notes:

SKYLIGHT QTY:

LENS TYPE:

APPROVALS:

LOUVER QTY:

SAFETY/SECURITY GUARD QTY:

CURB QTY:

BURGLAR BAR QTY:

©2020 Acuity Brands Lighting, Inc.
 The information contained in these materials is proprietary, and may not be used, reproduced or distributed without the express written permission of Acuity Brands Lighting, Inc.

ABL Agent:

Customer Name:

Item Nomenclature:

Title:

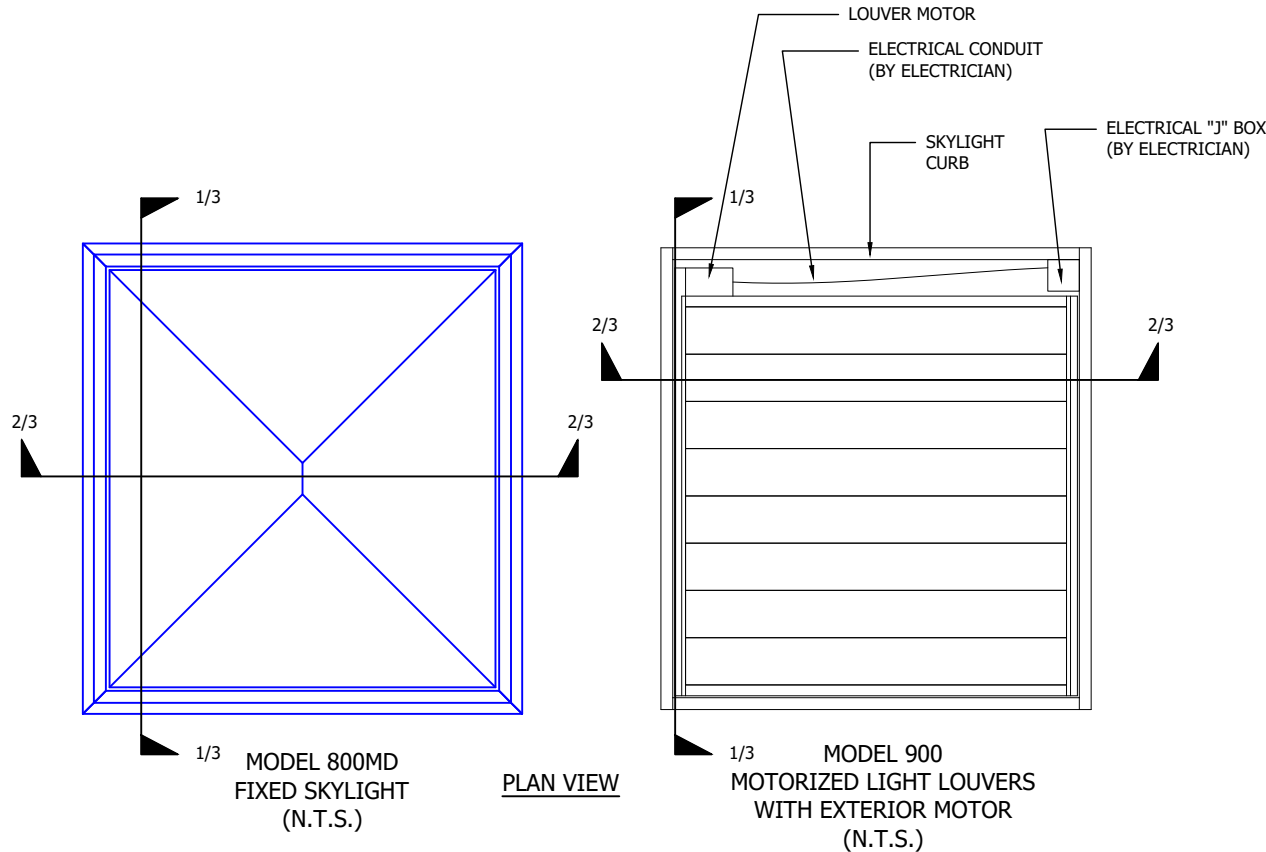
800MD SKYLIGHT
EXTERIOR MOTOR LOUVER

Drawn By: _____ Sheet Size: **A**

Drawn Date: _____ Sheet: _____

Scale: **N.T.S.** **3/3**

Cut Sheet Number: _____



BY APPROVING THIS DOCUMENT IT IS UNDERSTOOD THAT THE INFORMATION SHOWN IS ACCURATE TO PROCEED

APPROVED BY: SIGN: _____ / PRINT: _____ **DATE:** _____

*TO AVOID DELAYS, RETURN APPROVED CUT SHEET TO SunopticsCustomerCare@AcuityBrands.com TO FACILITATE ORDER PLACEMENT.