

-Customer Cut Sheet-

Notes:

SKYLIGHT QTY:

LENS TYPE:

APPROVALS:

SAFETY/SECURITY GUARD QTY: 0

CURB QTY: 0

©2014 Acuity Brands Lighting, Inc.
 The information contained in these materials is proprietary, and may not be used, reproduced or distributed without the express written permission of Acuity Brands Lighting, Inc.

ABL Agent:

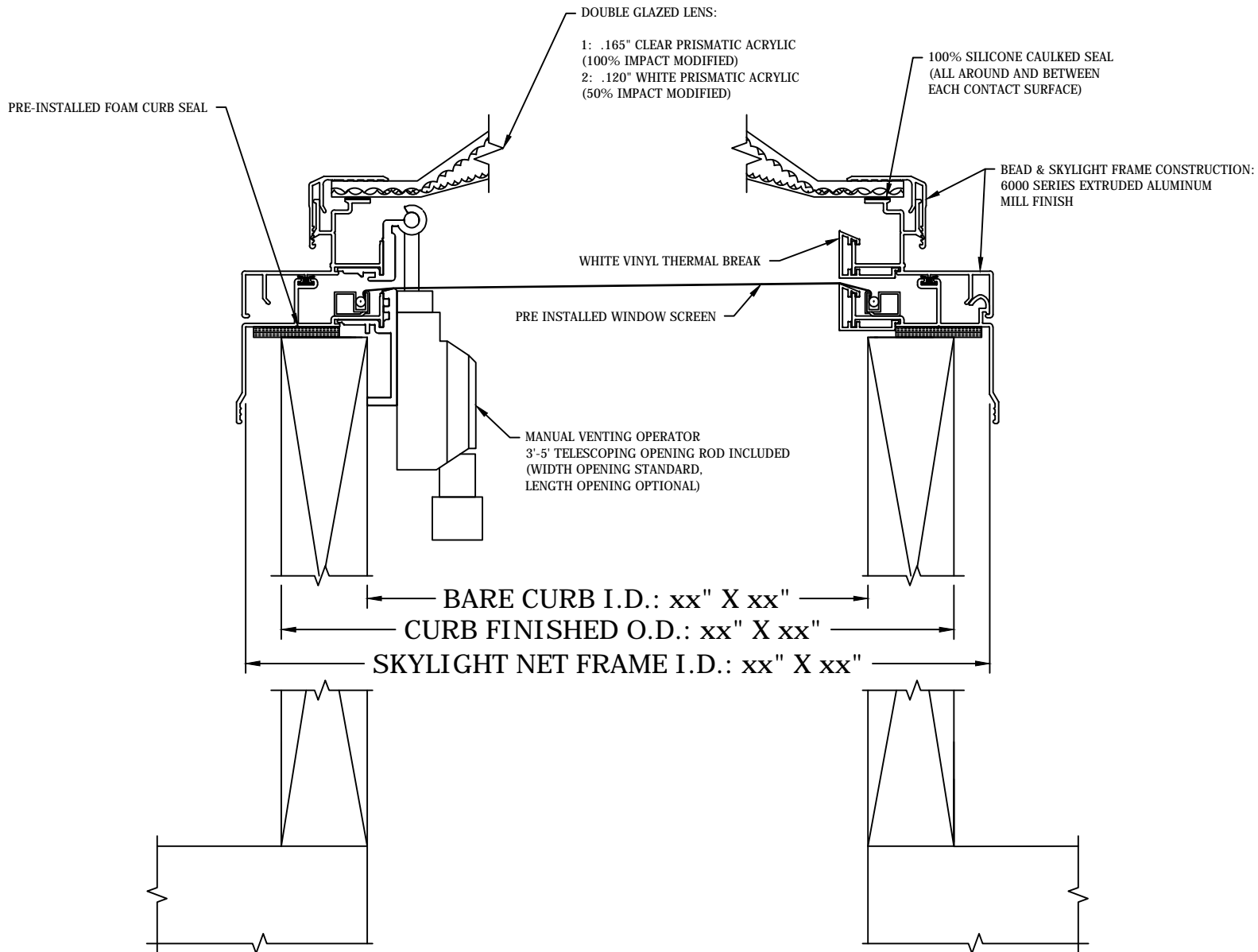
Customer Name:

Item Nomenclature:

Title:

840 MANUAL VENTING SKYLIGHT

Drawn By: CAM	Sheet Size: A
Drawn Date: 5/11/12	Sheet: 1/1
Scale: 3/8:1	
Cut Sheet Number:	



CURB NOT PROVIDED BY SUNOPTICS

APPROVED BY: _____ DATE: _____