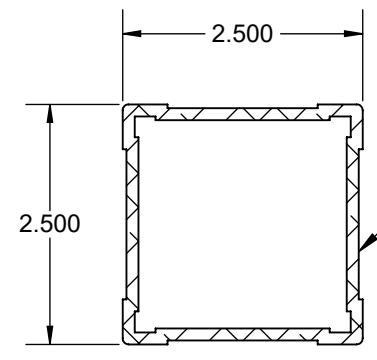


4

3

2

1



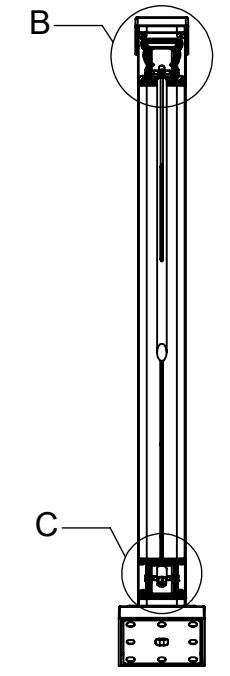
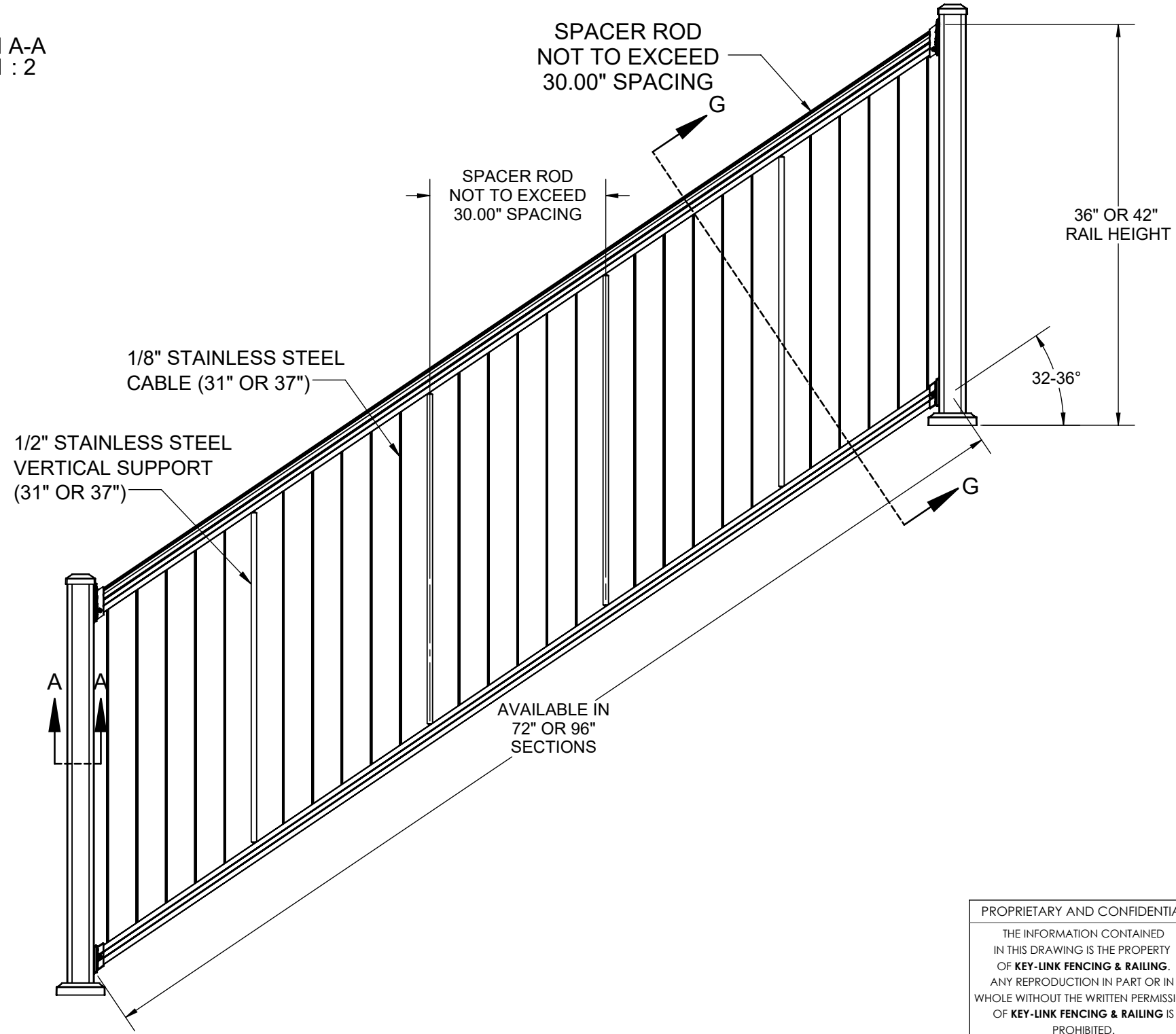
POST WITH PLATE SIZES:
 -2 1/2" SQUARE (LINE POST ONLY)
 -3 1/4" SQUARE (LINE, END POST or *PORCH POST)
 -4" (*PORCH POST ONLY)
 (2 1/2 & 3 1/4 AVAILABLE IN 38" or 44" height)
 *PORCH IS 108" IN HEIGHT

SECTION A-A
SCALE 1 : 2

REVISIONS			
REV.	DESCRIPTION	DATE	BY
-	INITIAL CREATION	11/17/2020	EH
01	ADJUSTED FOR CLARITY	11/9/2022	JC
02		12/29/2022	JC

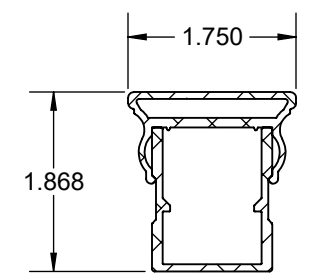
B

B

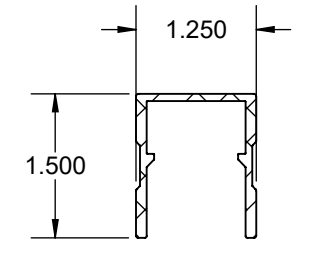


SECTION G-G

AMERICAN SERIES RAIL PROFILE



DETAIL B
SCALE 1 : 2



DETAIL C
SCALE 1 : 2

A

A

4

3

2

1

PROPRIETARY AND CONFIDENTIAL
 THE INFORMATION CONTAINED
 IN THIS DRAWING IS THE PROPERTY
 OF **KEY-LINK FENCING & RAILING**.
 ANY REPRODUCTION IN PART OR IN
 WHOLE WITHOUT THE WRITTEN PERMISSION
 OF **KEY-LINK FENCING & RAILING** IS
 PROHIBITED.

PROJECTION	NAME	DATE
DO NOT SCALE DRAWING	E.Hunt	11/17/2020
FINISH	E.Hunt	11/17/2020
N/A	D.Kinsey	11/17/2020
MATERIAL	SEE BILL OF MATERIALS	

Key-Link Fencing & Railing, Inc
 150 Orlan Road, New Holland, PA 17557

TITLE: **VERTICAL CABLE INFILL,
 36"/42"HT. X 6'/8"W. STAIR**

SIZE	DWG. NO.	REV
B	112014	02
SCALE: 1:10	WEIGHT: 35.9458	SHEET 1 OF 1