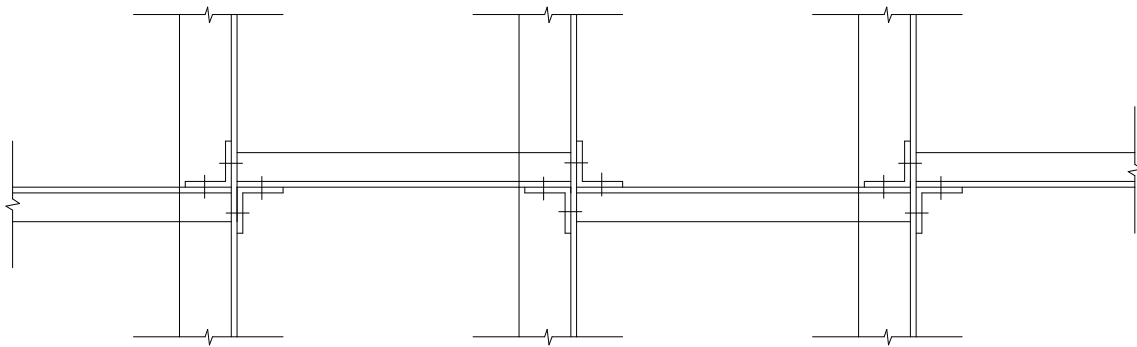


SECTION



PLAN

BRIDGING AND BRACING  
CONTINUOUS SOLID BRIDGING