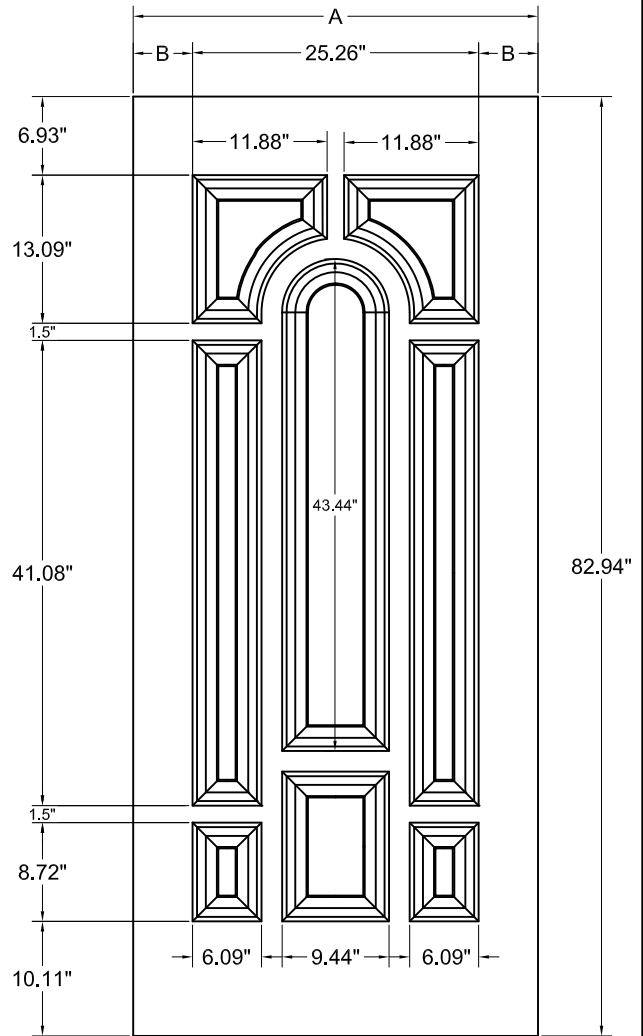


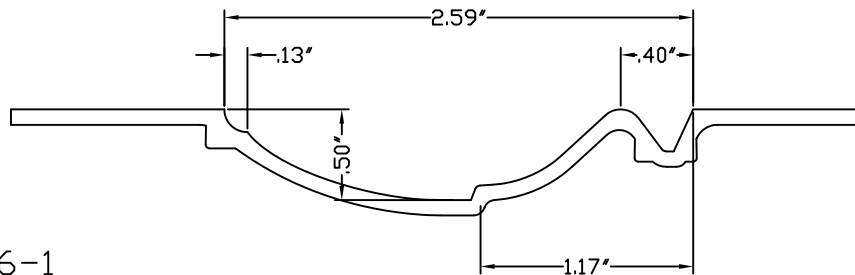
6'-8" 8 PANEL

WIDTH	"A"	"B"
3'0"	35.75"	5.24"
2'10"	33.75"	4.24"



7'-0" 8 PANEL

EMBOSSMENT PROFILE



SCALE: 16-1



AMERICA'S DOORMAKER

8 PANEL - 6'8" AND 7'0"  
 TIMBERGRAIN  
 FIBERGLASS DOORS

DWG#	XXII-6
DATE	4-22-14
NAME	KRB
SECTION	XXII
PAGE	6