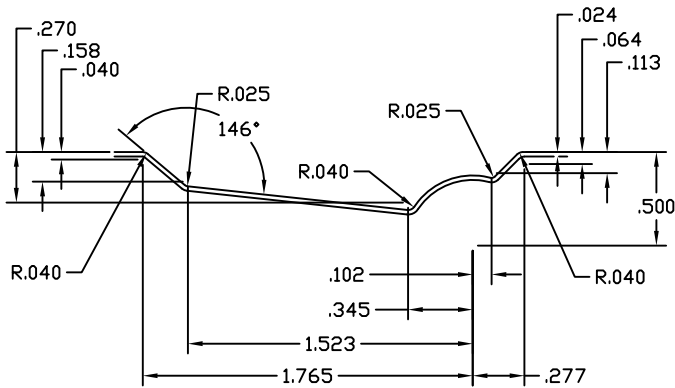


NOTE:
 1/16" TOLERANCE
 ALLOWED FROM CENTERLINE
 FOR EMBOSSMENT LOCATIONS
 TOP TO BOTTOM
 AND SIDE TO SIDE.

NOTE:
 THIS LAYOUT BASED ON:
 3'0" X 6'8" EMBOSSED DOOR
 FOR 7'0
 EMBOSSMENT LOCATION
 DIFFERENCE IS SPLIT BETWEEN
 TOP AND BOTTOM RAILS

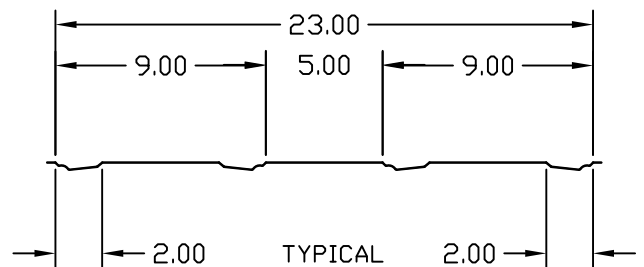
EMBOSSMENT PROFILE
SECTION A-A

SCALE 16X



EMBOSSMENT
SECTION B-B

SCALE 2X
 ALL DIMENSIONS (T.S.C.) TO SHARP CORNER



TAYLOR 6 PANEL EMBOSSMENT
 "ADA" LOCATION
 OPTION FOR STEEL DOORS
 AVAILABLE IN SUSTAINABLE STEEL

DWG#	II-20B
DATE	1-25-06
NAME	MJP
SECTION	II
PAGE	20B