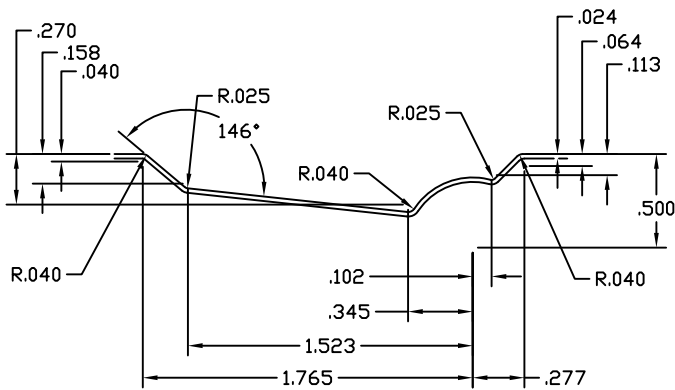


NOTE:  
 1/16" TOLERANCE  
 ALLOWED FROM CENTERLINE  
 FOR EMBOSSEMENT LOCATIONS  
 TOP TO BOTTOM  
 AND SIDE TO SIDE.

NOTE:  
 THIS LAYOUT BASED ON:  
 3'0" X 6'8" EMBOSSED DOOR  
 FOR 7'0  
 EMBOSSEMENT LOCATION  
 DIFFERENCE IS SPLIT BETWEEN  
 TOP AND BOTTOM RAILS

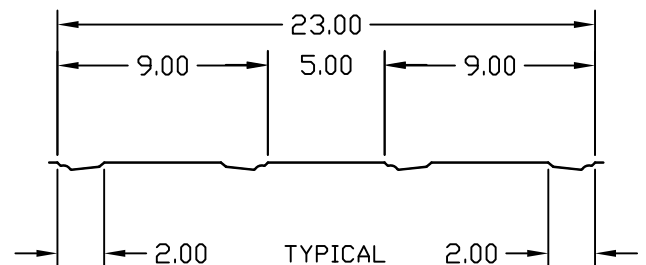
EMBOSSMENT PROFILE  
SECTION A-A

SCALE 16X



EMBOSSMENT  
SECTION B-B

SCALE 2X  
 ALL DIMENSIONS (T.S.C.) TO SHARP CORNER



TAYLOR 6 PANEL EMBOSSEMENT  
 OPTION FOR STEEL DOORS  
 AVAILABLE IN STAINABLE STEEL

DWG#	II-12
DATE	1-18-05
NAME	MJP
SECTION	II
PAGE	12