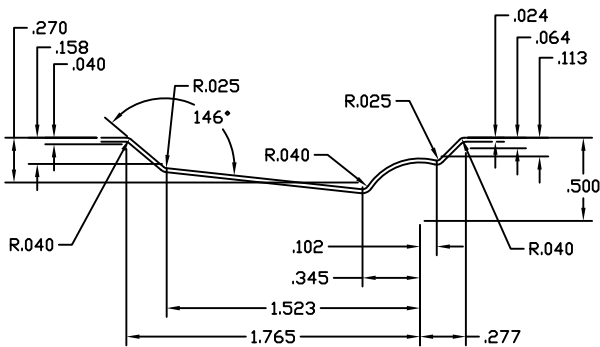


NOTE:
 1/16" TOLERANCE
 ALLOWED FROM CENTERLINE
 FOR EMBOSSEMENT LOCATIONS
 TOP TO BOTTOM
 AND SIDE TO SIDE.

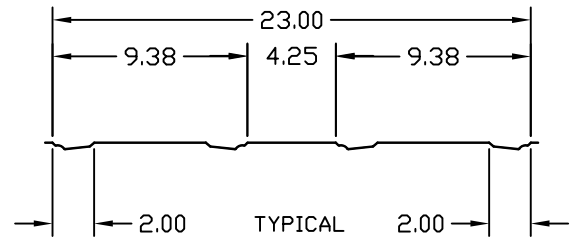
EMBOSSMENT PROFILE
SECTION A-A

SCALE 16X



EMBOSSMENT
SECTION B-B

SCALE 2X
 ALL DIMENSIONS (T.S.C.) TO SHARP CORNER



AMERICA'S DOORMAKER

8'0" 2 PANEL EMBOSSEMENT
 OPTION FOR STEEL DOORS

DWG#	II-18A
DATE	4-28-05
NAME	MJP
SECTION	II
PAGE	18A