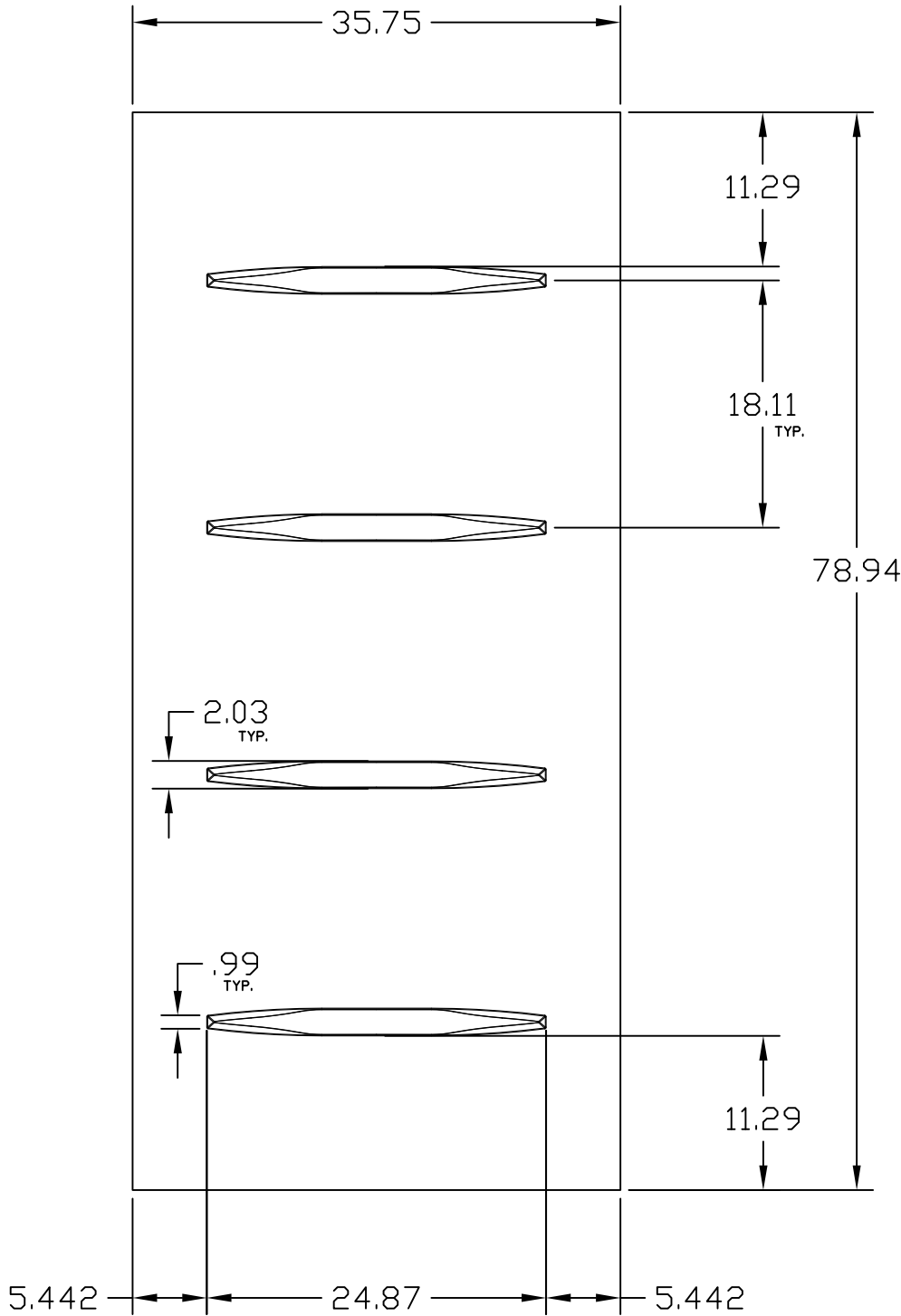


NOTE:  
 1/16" TOLERANCE  
 ALLOWED FROM CENTERLINE  
 FOR EMBOSSMENT LOCATIONS  
 TOP TO BOTTOM  
 AND SIDE TO SIDE.

NOTE:  
 THIS LAYOUT BASED ON:  
 3'0" X 6'8" EMBOSSED DOOR



4 GROOVE CONTEMPORARY  
 EMBOSSMENT OPTION  
 FOR STEEL DOORS (NT)

DWG#	II-20V
DATE	5-14-20
NAME	KRB
SECTION	II
PAGE	20V