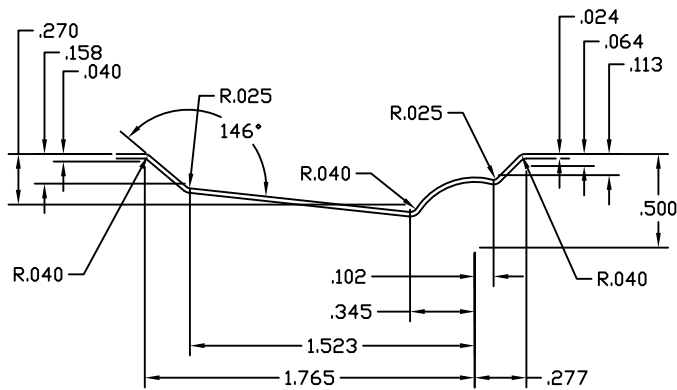


NOTE:
 1/16" TOLERANCE
 ALLOWED FROM CENTERLINE
 FOR EMBOSSMENT LOCATIONS
 TOP TO BOTTOM
 AND SIDE TO SIDE.

NOTE:
 THIS LAYOUT BASED ON:
 2'6" X 6'8" EMBOSSED DOOR
 FOR 7'0 DOORS
 EMBOSSMENT LOCATION
 DIFFERENCE IS SPLIT BETWEEN
 TOP AND BOTTOM RAILS

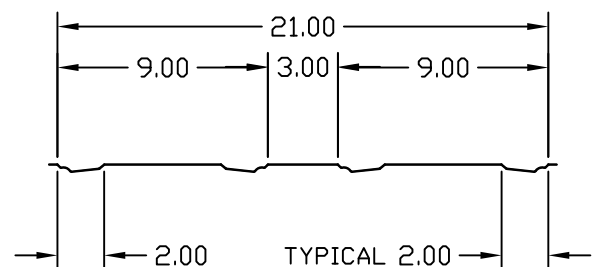
EMBOSSMENT PROFILE
SECTION A-A

SCALE 16X



EMBOSSMENT
SECTION B-B

SCALE 2X
 ALL DIMENSIONS (T.S.C.) TO SHARP CORNER



AMERICA'S DOORMAKER

NARROW 6 PANEL EMBOSMENT
 OPTION FOR STEEL DOORS

DWG#	II-14
DATE	1-18-05
NAME	MJP
SECTION	II
PAGE	14