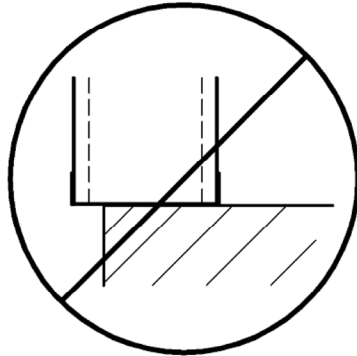
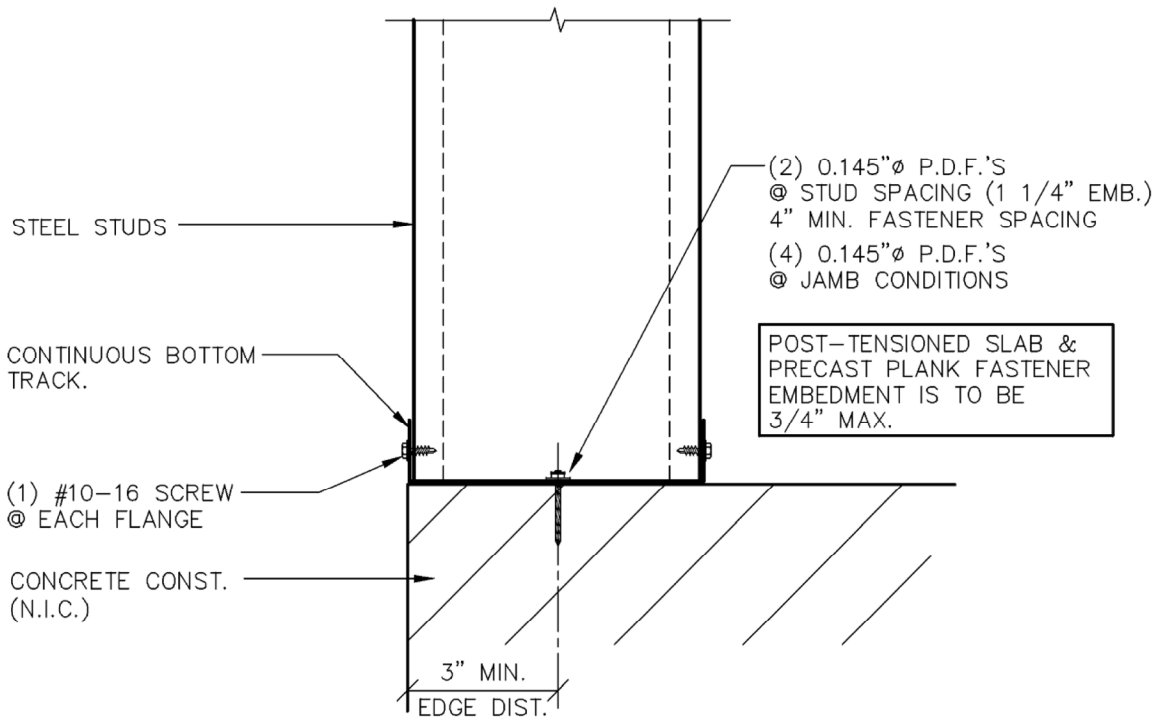


NOT ALLOWED



STEEL STUDS REQUIRE FULL BEARING AT FOUNDATION. CONTACT EXCEL ENGINEERING, INC. WITH ANY OVERHANG STUDS AT FOUNDATION.



STEEL STUDS

CONTINUOUS BOTTOM TRACK.

(1) #10-16 SCREW @ EACH FLANGE

CONCRETE CONST. (N.I.C.)

(2) 0.145" ϕ P.D.F.'S @ STUD SPACING (1 1/4" EMB.) 4" MIN. FASTENER SPACING
(4) 0.145" ϕ P.D.F.'S @ JAMB CONDITIONS

POST-TENSIONED SLAB & PRECAST PLANK FASTENER EMBEDMENT IS TO BE 3/4" MAX.

3" MIN. EDGE DIST.

TELLING™



BUILDSTRONG

6272 CENTER STREET
MENTOR, OHIO 44060
PHONE: 440-974-3370

DETAIL IS FOR REFERENCE ONLY. NOT FOR CONSTRUCTION.

DETAIL PROVIDED BY:



100 CAMELOT DRIVE
FOND DU LAC, WI 54935
PHONE: (920) 926-9800

@ CONCRETE BASE DETAIL ATTACHMENT