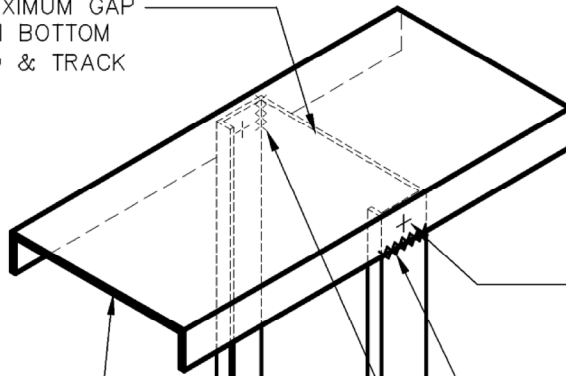


1/8" MAXIMUM GAP
BETWEEN BOTTOM
OF STUD & TRACK



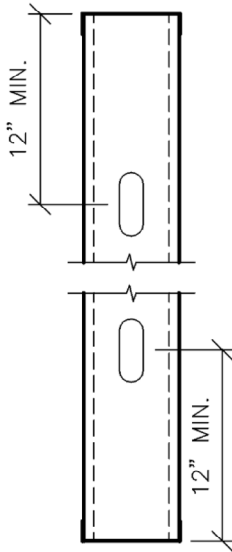
(1) #10-16 SCREW
@ EACH FLANGE

OR

1/8 ✓
1/8 ℄

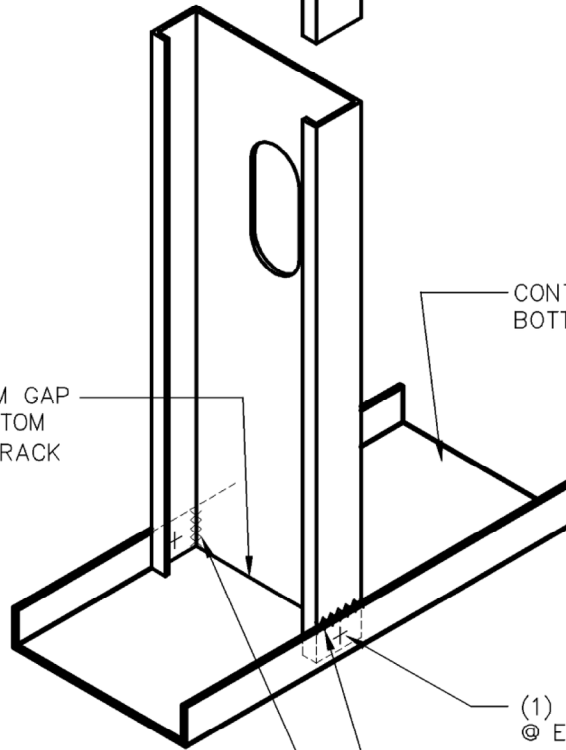
CONTINUOUS
TOP TRACK.

STEEL STUDS



CONTINUOUS
BOTTOM TRACK.

1/8" MAXIMUM GAP
BETWEEN BOTTOM
OF STUD & TRACK



(1) #10-16 SCREW
@ EACH FLANGE

OR

1/8 ✓
1/8 ℄

TELLING™



BUILDSTRONG

6272 CENTER STREET
MENTOR, OHIO 44060
PHONE: 440-974-3370

DETAIL IS FOR
REFERENCE ONLY.
NOT FOR CONSTRUCTION.

DETAIL PROVIDED BY:



100 CAMELOT DRIVE
FOND DU LAC, WI 54935
PHONE: (920) 926-9800

LOAD BEARING STUD TO TRACK ATTACHMENT