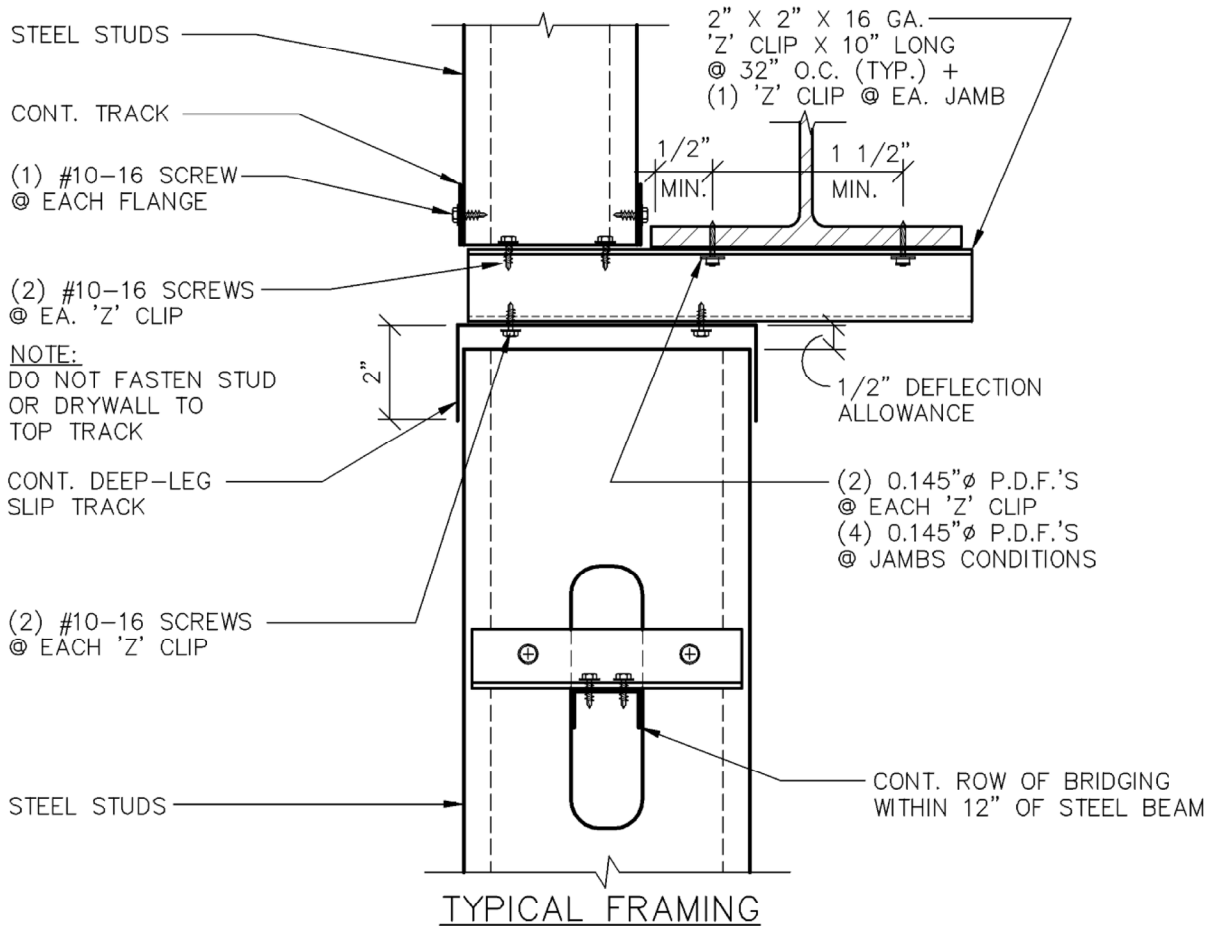


@ JAMB CONDITIONS



@ STEEL BEAM W/ INFILL & Z-CLIP
SLIP TRACK ATTACHMENT