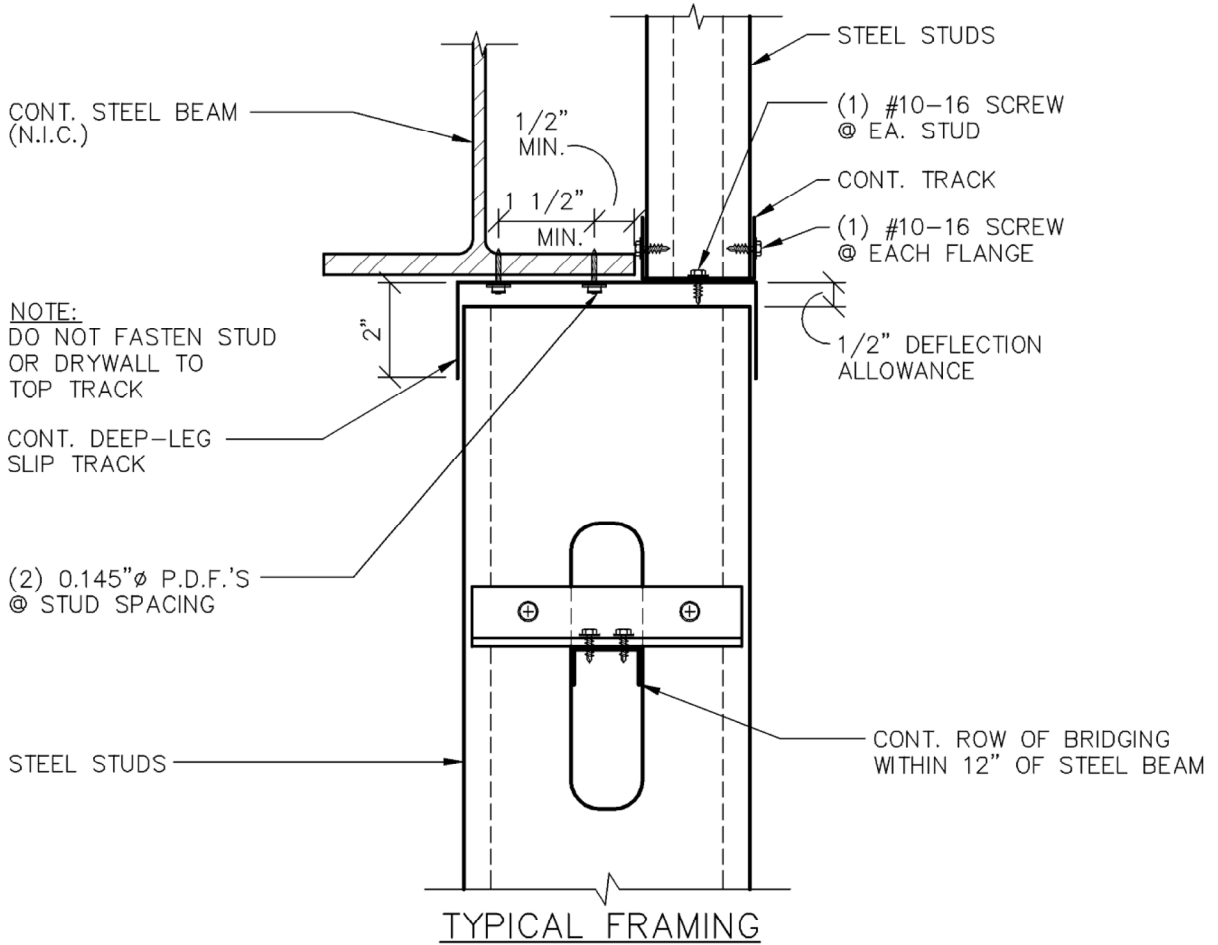


@ JAMB CONDITIONS



**@ STEEL BEAM  
SLIP TRACK ATTACHMENT**

**TELLING™**  
  
**BUILDSTRONG**  
 6272 CENTER STREET  
 MENTOR, OHIO 44060  
 PHONE: 440-974-3370

DETAIL IS FOR  
 REFERENCE ONLY.  
 NOT FOR CONSTRUCTION.

DETAIL PROVIDED BY:  
  
**EXCEL  
 ENGINEERING**  
 100 CAMELOT DRIVE  
 FOND DU LAC, WI 54935  
 PHONE: (920) 926-9800